



Remote Control for Access Control & Parking



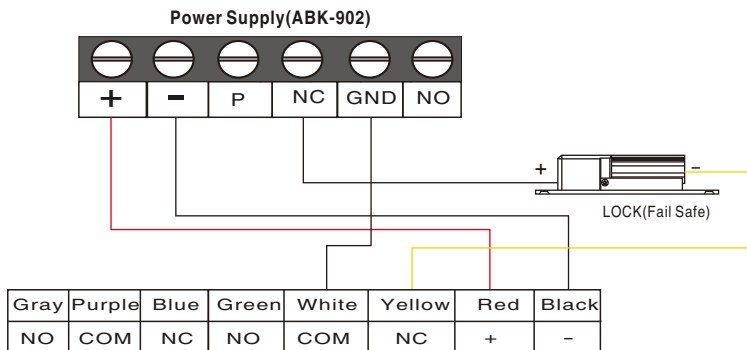
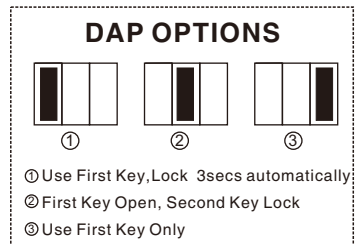
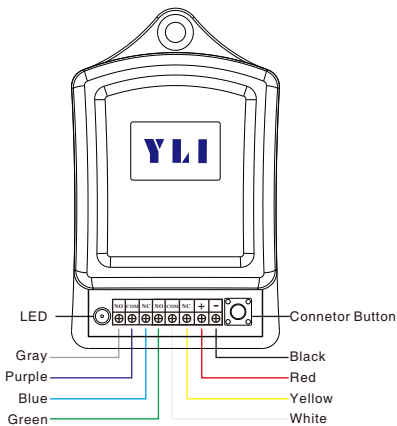
YLI ELECTRONIC

Model: WBK-400-2-12

Specification

- Size : 60Lx42Wx28H(mm)
- Input:12VDC (24VDC need order)
- Current: $\leq 12\text{mA}$
- Optional Accessory: WBK-400A
- Weight: 0.09kg
- Up to 29 Remote controls
- Transmitting Distance: 50m(in the open area)
- Finished for Shell: Plastic, Abrasion Resistant
- Contact Output: NO/NC/COM
- Transmitting Freq:433.92MHZ

Wiring Diagram



WBK-400-2-12