



Waterproof Magnetic Lock

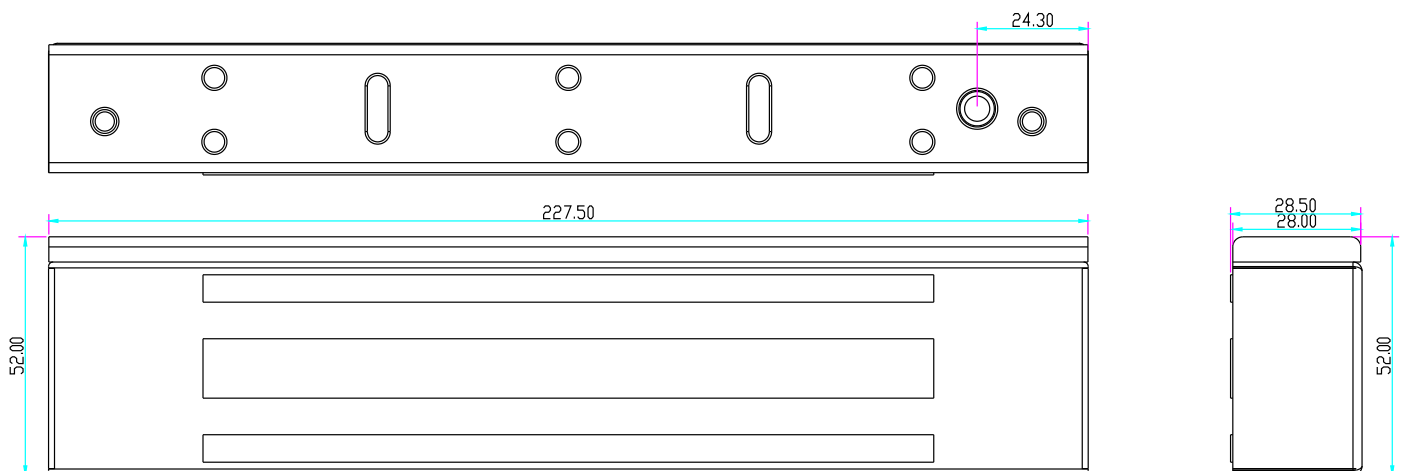


YLI ELECTRONIC

Specification

Model	YM-350W	YM-350W-S
Dimension	227.5Lx52Wx28.5H(mm)	227.5Lx52Wx28.5H(mm)
Armature plate	190(L)x45(W)x13(H)(mm)	190(L)x45(W)x13(H)(mm)
Holding force	350kg(800Lbs)	350kg(800Lbs)
Current	DC12V or DC24V	DC12V or DC24V
Voltage	12V/500mA±10% 24V/250mA±10%	12V/500mA±10% 24V/250mA±10%
Signal output	NO	Lock signal NO/COM
Suitable for	Wooden door ; Metal door; Fireproof door	Wooden door ; Metal door; Fireproof door
Operating temp	-20℃~+55℃	-20℃~+55℃
IP rate	IP-68	IP-68
Weight	2.5kg	2.5kg

Dimension (unit:mm)

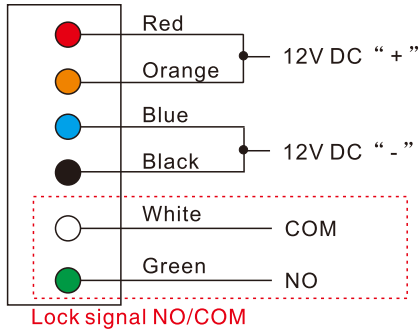


Notice: Please read the following instructions before installation.

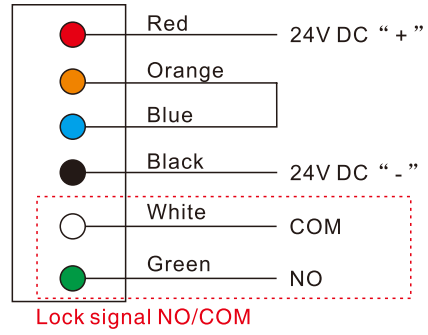
- Please handle the lock carefully. Any damage of the surface or the armature plate will reduce the magnetic force.
- Fix the lock on the door frame and the armature plate on the door leaf. The accessories can provide better conjunction to the lock and the armature plate.
- Please keep the door closed when you drill holes.
- Fasten the screws of the lock.
- The limit value of the reed switch of the door signal detection is 0.5A/30V DC. Don't overload.
- Make sure the armature plate can be slightly shaken when locked, for the rubber washer need some spaces to adjust the position of the armature plate and the lock.
- Please select the correct wiring for DC 12V or DC 24V voltage input.

Circuit Board Diagram

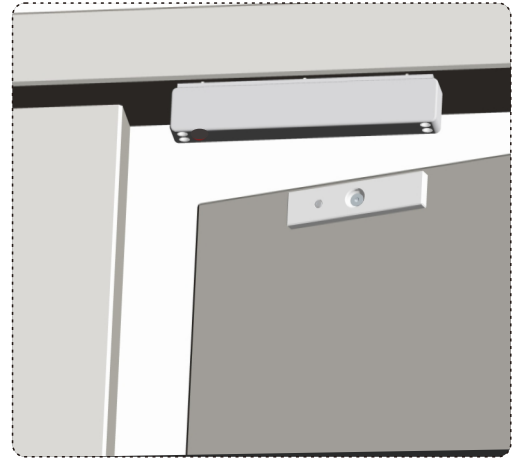
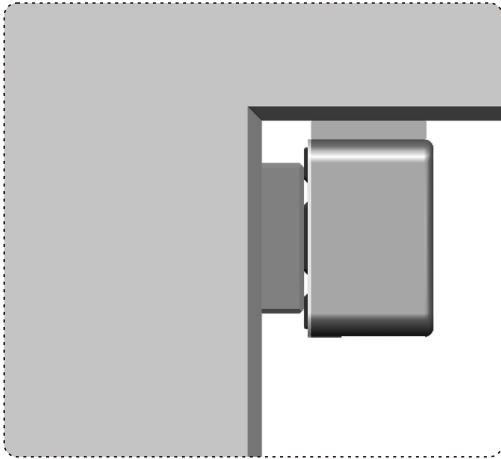
A. 12V DC Input



B. 24V DC Input



Installation Instruction



Wire Connection

