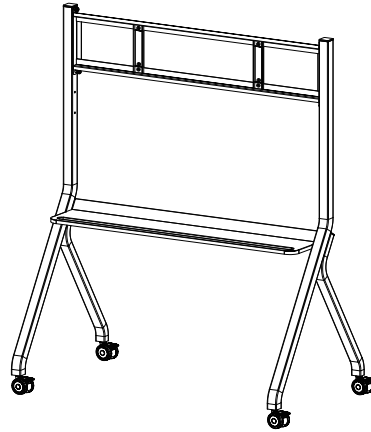


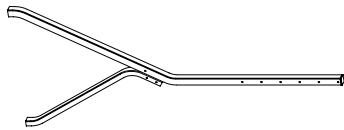
Movable Stand Installation Guide

Version: 1.1

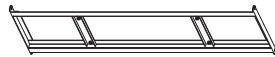
- To ensure correct and safe use, please read this manual carefully before installation.
- This model is recommended to be equipped with 55 to 86-inch interactive whiteboard.
- Maximum bearing weight can support up to 100KG.



Packing List



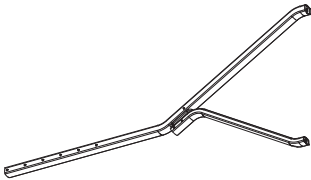
A - Left Bracket 1pc



C - Wall Bracket 1pc



E - Casters 4pcs








B - Right Bracket 1pc



D - Tray 1pc



F - Wall Hanging Bar 2pcs*

Cross-slot Recessed Hexagon Head Screw	M8×25mm	14pcs	
M12 Spring Cushion	∅20×∅13mm	4pcs	
M6 Screw*	M6×130mm	2pcs	
Phillips Screwdriver (Prepared by the user)		1pc	
Adjustable Wrench (Prepared by the user)		1pc	

Note: "*" It indicates that due to differences in models, some models include this accessory, please refer to the actual prevail.

Installation Steps

Step 1

Adjust the caster to the brake state and screw it into the brackets (as in Figure 1).

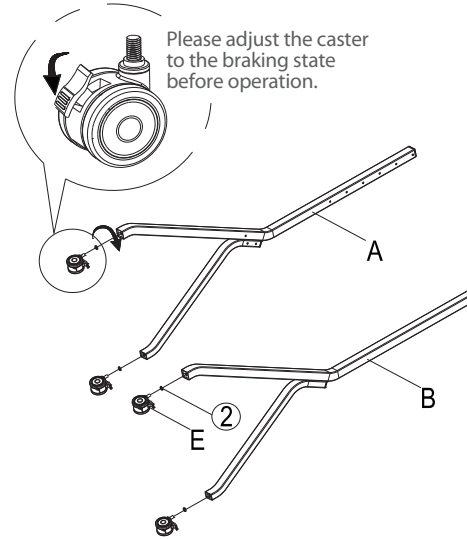


Figure 1

Step 2

Attach the Wall Bracket to the Left Bracket (as in Figure 2), 3 sets of mounting heights (1 and 4, 2 and 5, 3 and 6), optional according to demand.

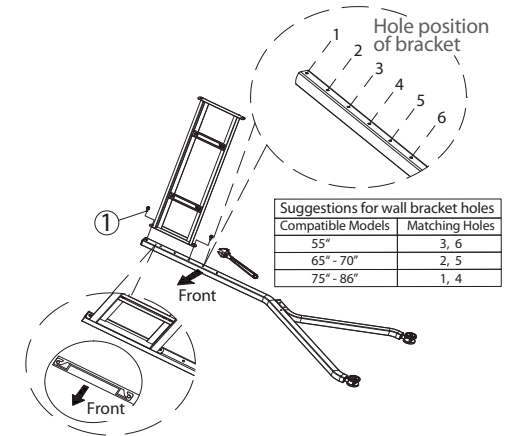


Figure 2

Step 3

Attach the Right Bracket to the other end of the Wall Bracket (as in Figure 3).

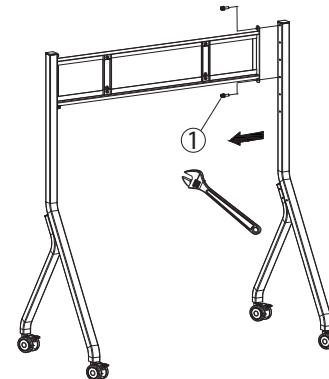


Figure 3

Step 4

Installing the Tray between the two bracket(as in Figure 4).

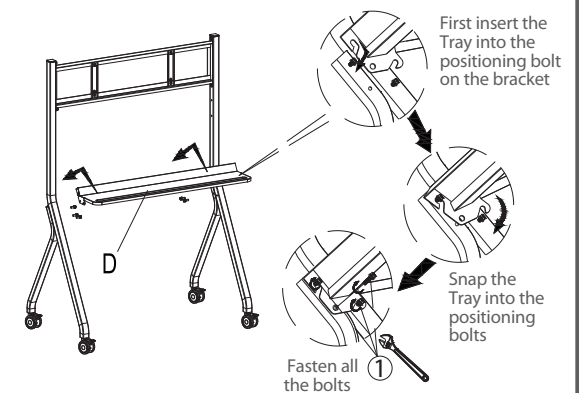


Figure 4

Step 5

Fasten the Wall Hanging Bar to the whole machine as needed (as in Figure 5).

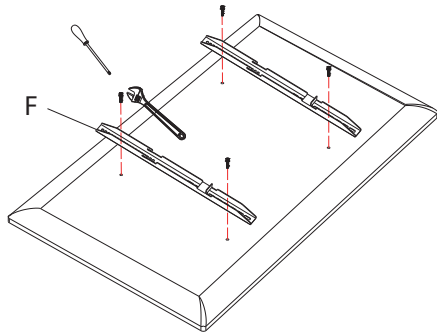


Figure 5

Step 6

Hang the assembled whole machine onto the Wall Bracket and lock the safety screw of the Wall Hanging Bar (as in Figure 6).

Make sure the brakes are locked, this step requires at least 2 professionals to complete.

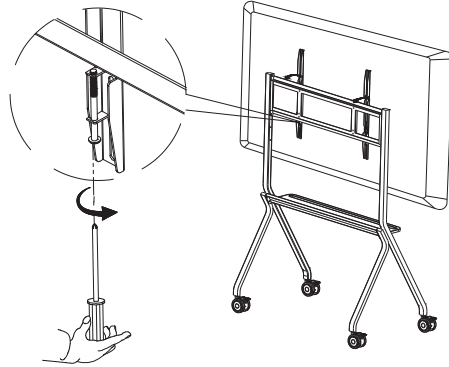
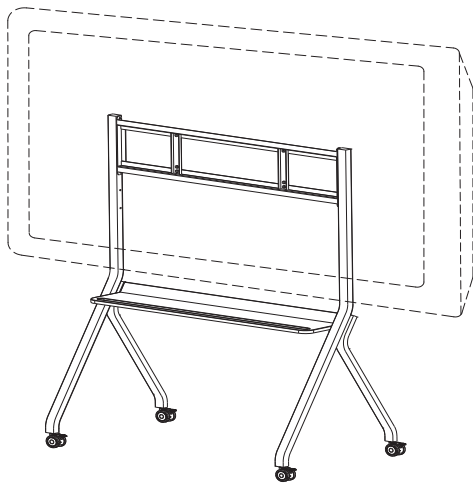


Figure 6

Step 7

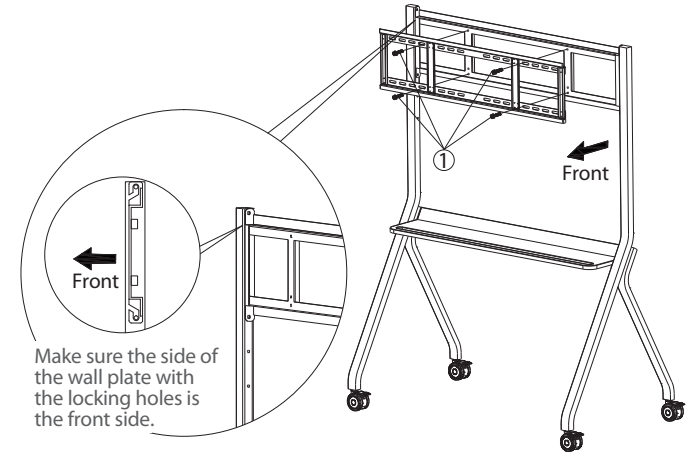
Refer to the following picture for the finished product.



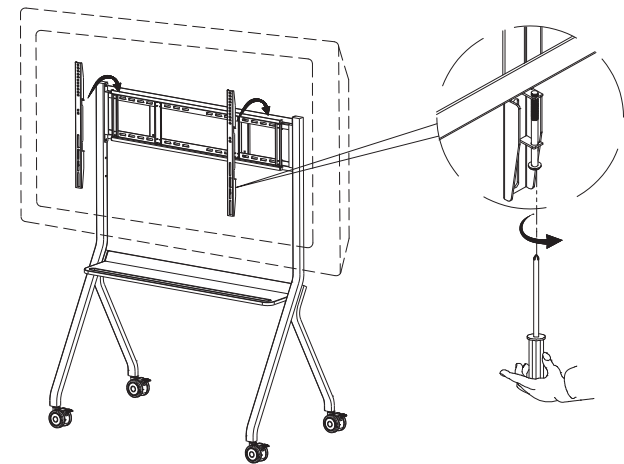
REMARKS:

When the interactive whiteboard with its own hanging bar cannot be effectively matched to the tripod, you should modify together with the wall mount plate, as shown below.

- 1 Attach the wall mount plate on the wall bracket.



- 2 Hang the interactive whiteboard on the wall mount plate and lock the safety bolt.



ZKTECO CO.,LTD. www.zkteco.com Copyright © 2020 ZKTECO CO., LTD. All rights reserved.

ZKTeco Industrial Park, No. 32, Industrial Road, Tangxia Town, Dongguan, China.
Phone: +86 769 - 82109991 Fax: +86 755 - 89602394