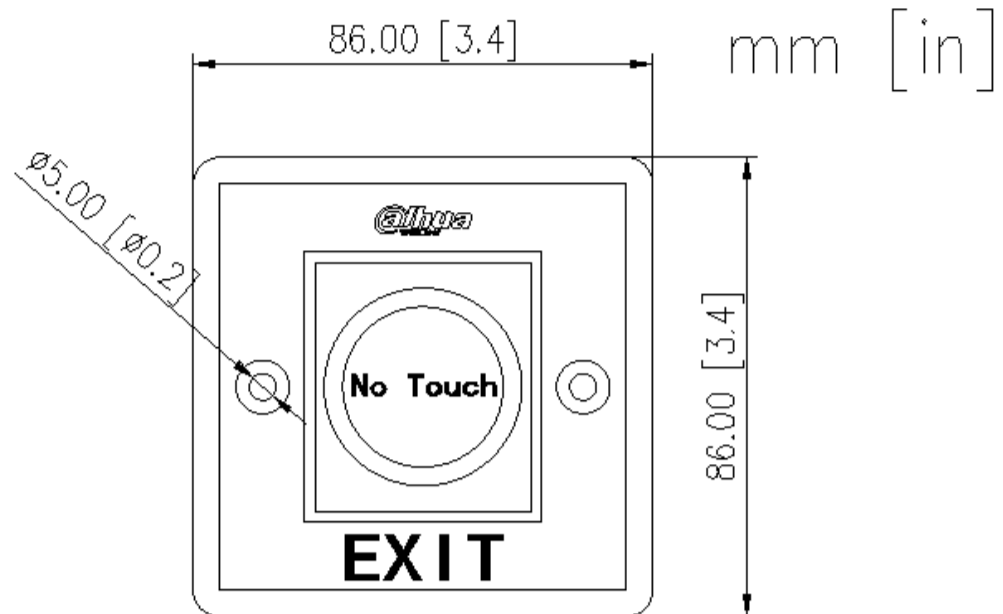


Operating Instructions



1. Safety Guide



Thank you very much for your purchase.

Please refer to the following content before use.

2. Overall Characteristics

Infrared modulation and demodulation are adopted, and no interference signals will be generated.

The door can be opened in a simple and clean way through a non-contact sensing device. The transmission distance is adjustable, ranging from 1 to 15 cm, and can be set according to actual occasions.

Low power consumption design, longer service life.

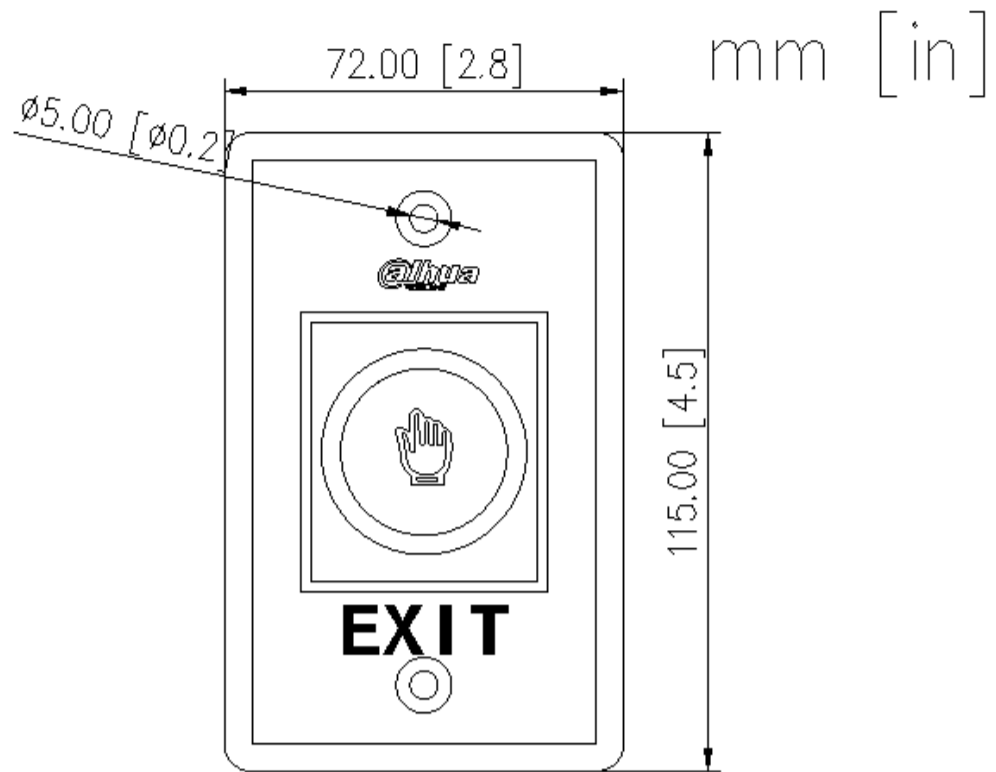
It adopts high-sensitivity infrared tubes and has a fast door opening response.

When installing, hidden screw holes are adopted, as shown in the picture, to give the appearance a scientific feel.

It uses dry contact and electric shock signal output, which is easy to connect with various door control devices.

Indicator with indicator light.

Power supply: 12-24 VDC



3. The Definitions of Input and Output

Red	12-24 VDC
Black	GND
Yellow	NO
White	COM
Orange	NC

4. Fittings

1. Main sensor (One piece)
2. Fixed screw (One packet)
3. User manual (One piece)
4. 5Pin cable (One piece)

5. Main Technical Parameters

Power supply: 12-24 VDC

Static current: (12 VDC) 22mA

Dynamic current: (12 VDC) 55mA

Transmission distance: Adjustable range: 1-15 cm

Operating frequency: 38 KHz

Working environment humidity: 0-95%

Size: 86*86(mm)/115*72 (mm)

Fixed type: With hidden screws

Total weight: 100 g/114 g