



Welcome to a new experience in YONUSA security and automation solutions. We are delighted to offer you new and innovative devices for your service, and we congratulate you on your recent purchase of:

TWO-CHANNEL REMOTE CONTROL SWITCH MODEL KL-2a INSTALLATION MANUAL

"Read the instructions in this manual carefully and we guarantee total success."

Step 1. Connecting the power source

Once you have the equipment in your hands, identify the connection strip as shown in image 1. On the right side, you will be able to identify the positive terminal (12V) and the negative terminal (GND). This is where you will connect the 12V power supply. Take great care to connect the correct polarity to avoid damaging the equipment. .

You will notice that a green LED lights up, indicating that the device is receiving power correctly. If so, CONGRATULATIONS, we're on the right track.



Image 1

Step 2. Erasing the memory of remote controls

It is recommended that the memory be cleared beforehand to ensure clean and necessary programming.

To achieve this, we will simultaneously press the (BT1) and (BT2) buttons as shown in image 2, for 2 seconds and we will see that two red LEDs light up alternately. Now proceed to press the (RESET) button, and that's it!! The memory will now be cleared.

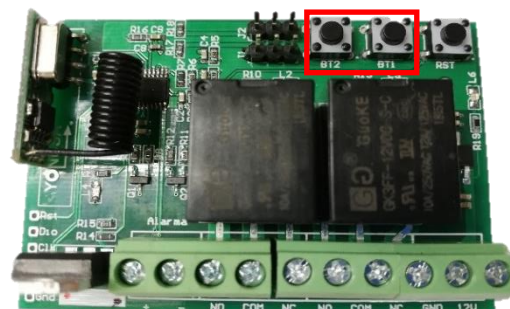


Image 2

Step 3. Linking the remote controls

Note that the remote controls (key fob type remote control) contain the operating buttons; the receiver is capable of memorizing up to 46 buttons.

In other words, on a remote control we can program a single button, or both depending on the need, so we could program 43 remote controls with a single button, or fewer if we use both buttons.

To link the first channel, press the (BT1) button (referenced in image 3) 5 times. When the corresponding red LED starts flashing, press the button on the remote control you want to link to this channel. Then press the (RESET) button, and the LEDs should turn off. Repeat this process for the next channel: press the (BT2) button (referenced in image 3) 5 times. When the corresponding red LED starts flashing, press the button on the remote control you want to link to this channel. Then press the (RESET) button, and the LEDs should turn off.

Perfecto has already set up his two channels, we can continue.



Image 3

Step 4. Modes of use

The receiver has two integrated operating modes: latching and pulsed. You can choose which mode to use, configuring each channel with the same or different modes.

Pulse mode: When you press the button on the remote control, the receiver will activate the channel that you have linked to that button and will light up two LEDs, one yellow, one red, and then the LEDs will turn off.

Latching mode: When you press the button on the remote, the receiver will activate the channel that you have linked to that button and will light up two LEDs, one yellow and one red, but unlike the push-button mode, the latching mode will stay on and will turn off until you press the same button again.

As shown in image 4, we have 2 ports and each port has 3 connection pins (J1) and (J2). Using the red connector that is already integrated, configurations can be made.

We will use the (J1) connections to configure channel 1. From left to right, we will place the connector with the first two pins, thus putting channel 1 in latched mode. If we want to convert it to pulsed mode, simply remove the connector and move it to pins 2 and 3, which will also put it in pulsed mode. You can change the mode of channel 2 in the same way with its respective connector and pins (J2).

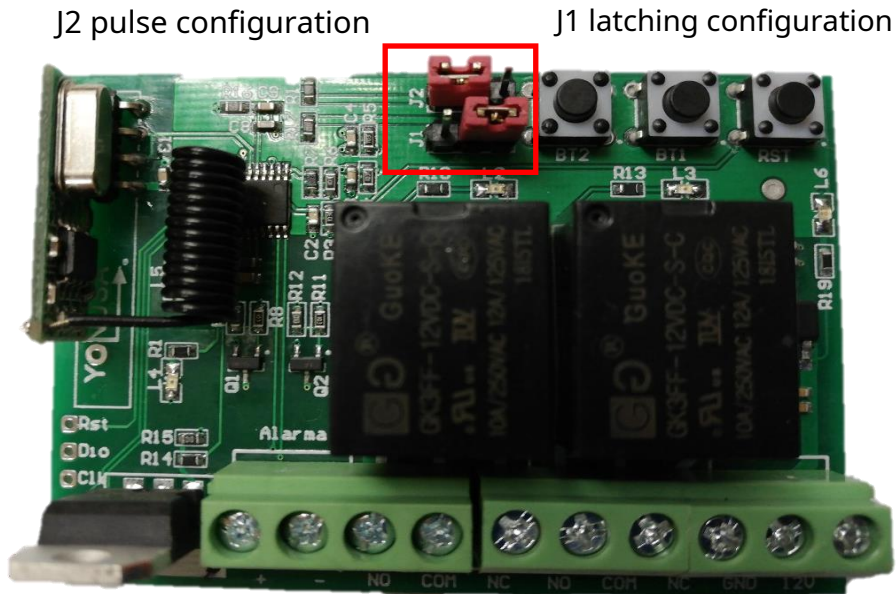


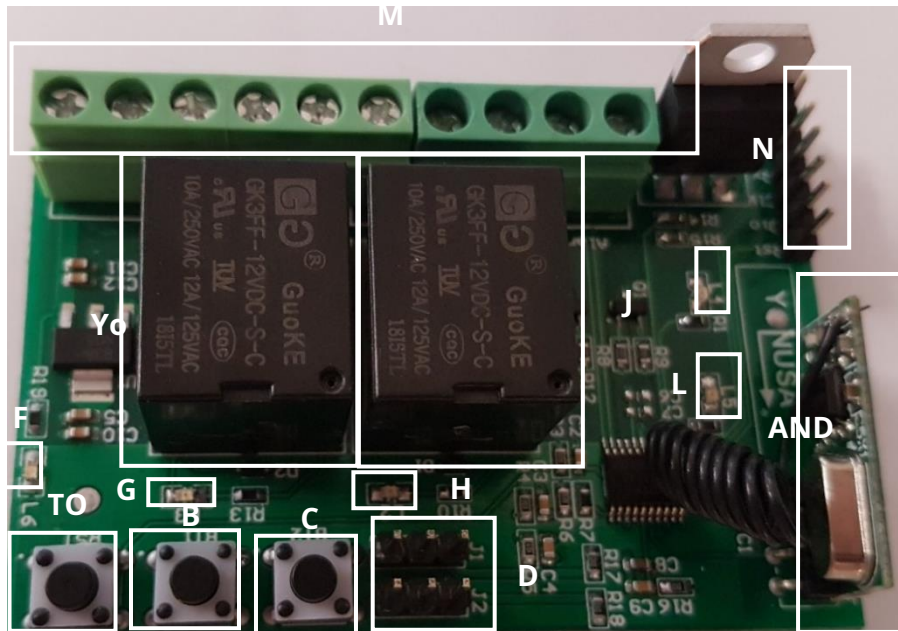
Image 4

Specs

Feeding	12 Vdc 500mA
Output (2 Relays)	10A - 127VAC 10A - 30VDC
Linear range	70 m line of sight
Confirmation by tone (Siren)	120 dB

KL-2A REMOTE CONTROL DIAGRAM

Relay 1	Red LED 2
Relay 2	Green LED
Reset button	Yellow LED
Button 1	Power inputs
Button 2	Audio device output
Red LED 1	



Parts of the equipment

TO	Button	Reset button and pairing confirmation
B	Button	Button 1 used to program relay 1
C	Button	Button 2 used to program relay 2
D	Pins	Use selector (latched or push-button)
AND	Radio	Signal receiver
F	Green LED	When turned on, it shows the receiver powering up.
G	Yellow LED 1	When turned on, it shows that it is using relay 1
H	Yellow LED 2	When turned on, it shows that it is using relay 2
Yo	Relay 1	
J	Relay 2	
K	Red LED 1	When turned on, it shows that it is using relay 1 and flashes while programming this relay.
L	Red LED 2	When turned on, it shows that it is using relay 2 and flashes when programming this relay.
M	Connection strip	Connection to power sources, relays and siren
N	Pins	Unused

Energizer Connection

Congratulations on completing our installation manual,

Thank you for purchasing our KL-2 remote control.

If you experience technical failures or problems

Please contact:

Telephone numbers: (55)5358-0783, 5358-0796

E-mail: engineeringanddevelopment@yonusa.com

repairs@yonusa.com

