

About PGPx922

The PGPx922 is a wireless PowerG two-way acoustic glass-break detector designed to detect the breaking of framed glass mounted in an outside wall. This device is wall or ceiling mountable and suitable for most types of window or door glass, including the following: plate, tempered, laminated, wired, coated, and sealed insulating glass.

The device has the following features:

- Two-factor authentication
- Battery reporting
- Dealer lock down
- The device is fully calibrated
- Provides temperature and light level reports for PowerG control panels that support this feature
- Alarm and other data are forwarded to the control panel
- Back-tamper protection
- Periodic supervision message is transmitted automatically to the control panel at regular interval
- A bi-color LED lights whenever events are reported
- Remote firmware upgrade

Installation guidelines

⚠ CAUTION: Only qualified personnel may install this equipment. Place this device in non-hazardous indoor locations only.

➤ Important: Check the device and the entire alarm system weekly to ensure optimal performance.

ⓘ Note:

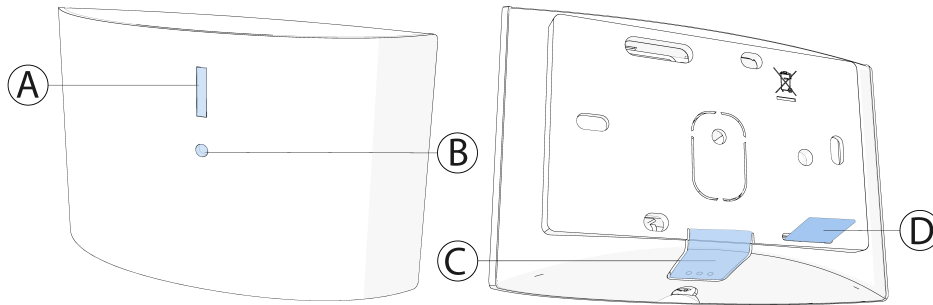
To comply with FCC and ISED Canada RF exposure compliance requirements, locate the device at a distance of at least 20 cm from all persons during normal operation.

Do not co-locate the antennas used for this product, or operate them in conjunction with any other antenna or transmitter.

Install the PGP9922 in accordance with the Standard for Installation and Classification of Residential Burglar Alarm Systems, UL 1641 and ULC-S302.



Figure 1: PGPx922



| Callout | Description |
|---------|------------------|
| A | LED |
| B | Microphone |
| C | Snap |
| D | Battery pull-tab |

For more information refer to section [About PGPx922](#).

Optimizing detection and avoiding false alarms

PGPx922 detects shattering glass. Like all glass-break sensors, the detector might not consistently detect cracks in glass, or bullets that break through or break out the glass. Glass-break sensors should always be backed up by interior protection.

For best detection, avoid installing in:

- Rooms with lined, insulating, or sound-deadening drapes.
- Rooms with closed wooden window shutters inside.

For best false alarm immunity:

- False alarms are most likely to occur when installed on a 24-hour loop, in glass airlocks, and glass vestibule areas. Similarly, when mounted above sinks, residential garages, and in other small acoustic living rooms, false alarms can be generated. In rooms where multiple sounds can reflect and eventually duplicate the glass break frequency pattern, use PowerG shock detectors.
- Avoid 24-hour loop applications. The PGPx922 is recommended for perimeter loops and is designed to function in an occupied area. In 24-hour loop applications, where the device is armed all day and all night, the false alarm prevention technology will be pushed to its limit. Some sounds can duplicate the glass break pattern the acoustic sensor detects.

Install the PGPx922 on a perimeter loop which is armed whenever the door and window contacts are armed.

- Do not use where white noise, such as air compressor noise, is present. A blast of compressed air may cause a false alarm.
- Avoid rooms smaller than 3 x 3 m (10 x 10 ft) and rooms with multiple noise sources such as small kitchens, glass booths noisy areas, garages, and small bathrooms.
- Do not install in humid rooms. The PGPx922 is not hermetically sealed. Excess moisture on the electronic board can shorten the circuit and cause false alarms.
- Install in rooms with moderate noise. The false alarm immunity is best in rooms with only moderate noise. For 24-hour occupied area protection, use PowerG shock detectors.
- The device should be located at least 1.2 m (4 ft) away from noise sources (televisions, speakers, sinks, doors, and similar). The device must always be in direct line of sight of all protected windows. It cannot consistently detect glass breaking around corners or in other rooms. Front or back, up or down, orientation is not necessary.

Areas to avoid:

- Glass airlocks and glass vestibule areas
- Noisy kitchens
- Residential car garages
- Small utility rooms
- Stairwells
- Small bathrooms
- Humid rooms

For glass break protection in such applications, use shock sensors on the windows or window frames.

- ① **Note:** PGP922 shall be installed in accordance with the Standard for Installation and Classification of Burglar and Holdup Alarm Systems, UL 681

Sound travel considerations

The acoustic sensor of the PGPx922 is omnidirectional, providing full coverage. Coverage is measured from the sensor to the point on the glass farthest from the sensor. The sensor can be mounted as close as 1.5 m (5 ft) from the glass.

Because the sound of breaking glass travels directionally out from the broken window, the best location for mounting the sensor is on the opposite wall if the glass being protected is within the sensor's range and line of sight. When mounted on the opposite wall, the detector should be mounted at least 1.8 m (6 ft) off the floor, but not less than 30 cm (12 in.) from the ceiling. The ceiling also has good sensor locations. A ceiling mounted sensor will have better detection if positioned 2 to 4 m (6 to 12 ft) away from the protected glass into the room. Corner and adjoining (side) wall mounting is permitted but range versus angle limitations should be taken into consideration.

Avoid obstructions between the detector and the protected glass. Curtains, blinds, and sound-absorbing materials in the protected room may reduce the effective range.

Mounting on the same wall as the protected glass is less effective and not recommended. Optimum detection is partially dependent on sound reflection off the opposite wall.

Enrolling the device

1. Refer to the compatible control panel or receiver combination installation manual for the complete set of enrollment instructions and testing procedures.
 2. From the **Installation** menu, select **Devices > Security Sensors > Auto Learn Sensor** to add a new device.
 3. Remove the battery pull-tab to power on the device and begin the auto-enrollment process. If the battery pull-tab is not available or if the device does not automatically enroll, remove and re-insert the batteries. Alternatively, press the enroll button until the yellow LED light turns on.
 4. If requested, enter the PIN code printed on the device label.
 5. To manually enroll the device:
 - a. Scan the QR Code on the device box, using the IQ4 camera if available, or see step b.
 - b. Manually enter the device ID, printed on the product label, in the format 162-XXXX.
The PGPx922 is enrolled with device ID 162-XXXX. In fall back mode it enrolls as PGx922 with device ID 161-XXXX.
- Note:** If the device has been powered up for more than 48 hours it will be identified by the system only after the device has been reset.
6. Select the desired zone.
 7. Configure any device parameters that are required.
 8. Mount and test the device. See [Local diagnostics test](#) for information on testing the device.

Configuring the device parameters

1. Enter the **DEVICE SETTINGS** menu and select the required configuration as described in the following table:

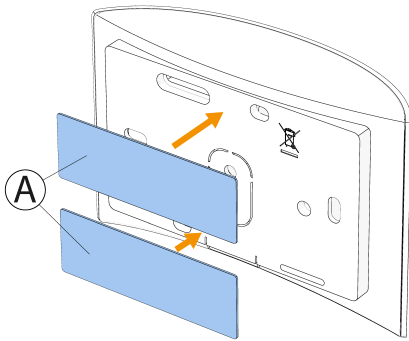
Table 1: Configuration options

| Option | Action |
|----------------|--|
| Activation LED | Define whether the alarm LED indication will be activated. Optional settings: Enable (default) and Disable . |

Mounting the device using tape

1. Peel the release liners off the two strips of double-sided adhesive tape and attach the tape to the back of the device. See the following figure.

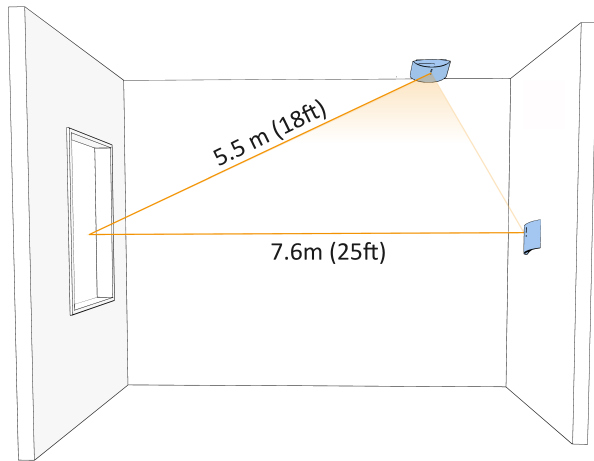
Figure 2: Double-sided adhesive tape placement on the device



| Callout | Description |
|---------|----------------------------|
| A | Double-sided adhesive tape |

2. Place the device on the desired surface.

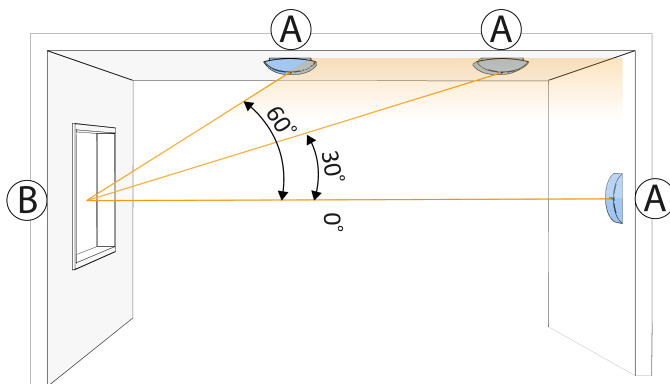
Figure 3: Typical range coverage



Note: Note: For UL/ULC listed products maximum verified range is 6m (20ft) using glass size 30 x 60cm. When mounted on opposite walls, on adjoining walls or on the ceiling, the range is 7.6 m (25 ft) for plate, tempered, laminated, wired, coated, and sealed insulating glass. The coverage range also depends on the angle between the detector and the glass. For a higher angle, the maximum range is reduced. See the following table and figure for details.

| Angle | 0° | 30° | 45° | 60° | 75° | 90° |
|---------------|---------------|-------------|---------------|------------|--------------|------------|
| Maximum range | 7.6 m (25 ft) | 7 m (23 ft) | 5.5 m (18 ft) | 4 m (13ft) | 2.5 m (8 ft) | 0 m (0 ft) |

Figure 4: Angle between device and window

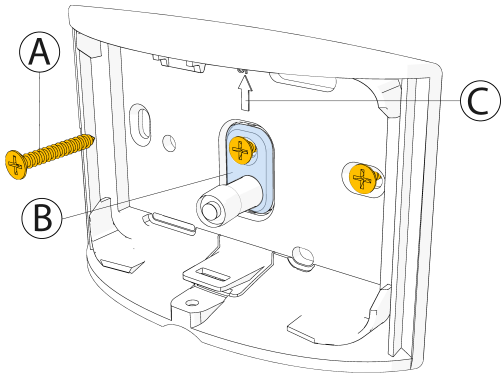


| Callout | Description |
|---------|-------------|
| A | Device |
| B | Window |

Mounting the device using screws

1. To open the device cover, press in the snap and separate the cover from the base.
2. Screw the device base to the wall. Ensure the device is correctly orientated using the arrow as a guide.
 - ⓘ **Note:** Make sure to fasten the break-away segment to the wall. If the device is forcibly removed from the wall, this segment will break away from the base, causing the tamper switch to open.
 - ⓘ **Note:** Back tamper protection is required for UL commercial burglary installations.

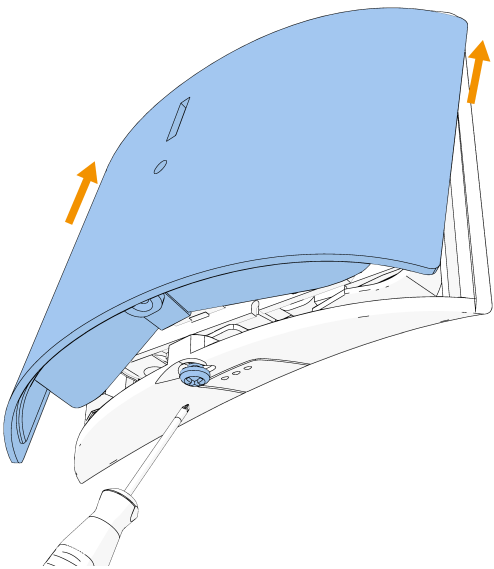
Figure 5: Device screw installation



| Callout | Description |
|---------|----------------------|
| A | Screwing device base |
| B | Break-away segment |
| C | Up arrow |

3. Clip the cover on the device base and tighten the cover screw. See the following figure.

Figure 6: Closing the device cover



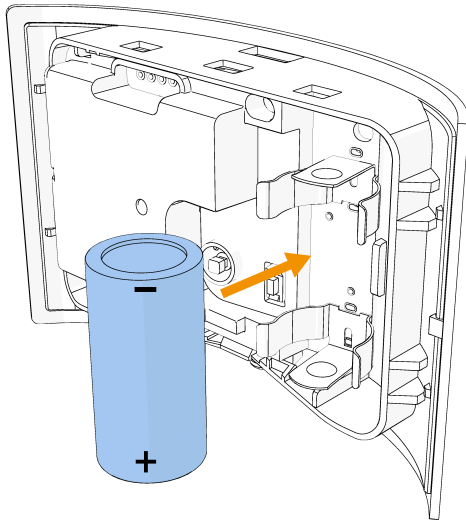
Replacing the battery

Before you begin:

⚠ CAUTION: Risk of explosion if battery is replaced by an incorrect type. Dispose of used batteries according to the manufacturer's instructions and according to local rules and regulations.

1. Remove the device cover.
2. Remove the battery.
3. Insert the battery into the battery clips while observing battery polarity.

Figure 7: Battery removal and insertion



4. Press down on the battery until it fits into place.
5. Close the cover and fasten the cover screw. See [Figure 6](#).

Local diagnostics test

After power-up or closing the cover, the device automatically enters Test Mode for 15 minutes. To manually enter the devices into Test Mode refer to the Control Panel Installer Guide.

1. Before you start the test, remove the device cover from the base.
2. Close the cover to return the tamper switch to its normal position.
3. After 10 seconds the LED blinks three times.

The following table indicates received signal strength indication.

Table 2: Signal strength indication

| LED response | Reception |
|-------------------|-----------|
| Green LED blinks | Strong |
| Yellow LED blinks | Good |

Table 2: Signal strength indication

| LED response | Reception |
|----------------|------------------|
| Red LED blinks | Poor |
| No blinks | No communication |

- **Important:** Reliable reception must be assured. Therefore, poor signal strength is not acceptable. If you receive a poor signal from the device, relocate it and re-test until a strong signal strength is received .
- ⓘ **Note:** It is recommended to have a strong signal strength and you must verify the signal strength using the control panel's diagnostic test. For detailed Diagnostics Test instructions, refer to the control panel installer guide.
- ⓘ **Note:** If the microphone self-test option is enabled, the microphone performs a test periodically. A beeping sound is emitted during the periodic test as follows:
 - After power up or tamper close, 5 consecutive beeps
 - During normal operation, once an hour
 - If the self-test fails, once every 10 minutes

Testing the Glass Break sensor

The PGPx922 detects when framed glass mounted on an outside wall shatters. Testing the sensor with unframed glass, broken bottles, etc. might not trip the sensor. False alarms such as glass breaking in the middle of a room will not activate the sensor.

A. Basic Test

Test the device's low frequency (FLEX) response by thumping the protected glass with a cushioned object. The green LED will light for 2 seconds. Repeat the test if necessary.

B. Extended glass break simulation test (optional)

This optional test activates the device with flex and audio sounds, that simulate the glass breaking sound of a window. Take care not to shatter the glass during testing.

To test complete the following steps:

1. Switch the device to Test Mode. To enter Test Mode, power-up or close the cover.
2. Generate a flex signal and simulate a glass breaking sound by using one of the following methods:
 - Simulator in manual mode. Hold the simulator close to the protected glass. Thump the glass and immediately start the simulator manually to create the sound of breaking glass. Examples of such simulators are AFT-100 or 5709C.
 - Simulator with automatic activation. Hold the simulator close to the protected glass. Thump the glass, the simulator creates the sound of breaking glass automatically. Examples of automatic simulators using flex signals are FG-700/ FG-701 or GT-2.
 - Hand clap Thump the glass and immediately clap hands firmly three times. This method is best used in relatively small rooms with a maximum distance up to 5 or 6 m (16 ft or 20 ft).

ⓘ **Note:**

The instructions for some simulators instruct you to switch the glass break detector to Test mode by sounding a special signal. The PGPx922 device has an inbuilt Test mode therefore it is not necessary to use that switch.

Testing the Glass Break sensor

Use a glass pane with dimensions of at least 0.5 x 0.5 m (1.5 x 1.5 ft) to assure success of the simulator test.

Always aim the simulator at the detector being tested.

3. The device will alarm, the red LED lights for 2 seconds.

4. Repeat the test if necessary.

► **Important:**

Room acoustics can artificially extend the range of a glass-break sensor. The specified range of the PGPx922 has been established for worst-case conditions. While the sensor is likely to function at an additional range, it may miss a minimum output break, or room acoustics may be changed at some future time, restoring sensor coverage back to the normal range of 6 m (20 ft).

Do not exceed the rated range of the sensor, regardless of what the tester shows.

LED Indications and Events

Table 3: LED indications and events

| LED Response | Description |
|--|-------------------------------------|
| Red LED blinks | Stabilization (warm-up 8 sec) |
| Red LED ON 0.2 sec. | Tamper open / close |
| Red LED ON 2 sec. | Glass break alarm |
| Green LED ON 2 sec. | Low frequency detection – Test mode |
| Green and red LED blink alternately (0.2 sec Green, 0.2 sec Red, 0.4 sec OFF) | Self-test failure – Test mode |
| Green and red LED blink alternately slowly (0.2 sec Green, 0.2 sec Red, 30 sec OFF) | Self-test failure – Normal mode |

Specifications

| | |
|----------------------------|---|
| Frequency Band | 912 to 919 MHz |
| Modulation | GFSK |
| Communication Protocol | PowerG |
| Battery Type | 3 V Lithium CR123A GP, Duracell, or Panasonic only |
| Battery Life | 5 years with typical use at room temperature 25°C (77°F) ① Note: Not evaluated by UL/ULC. |
| Low Battery Threshold | 2.6 V |
| Nominal Operating Voltage | 3 V |
| Operating Temperature | -10°C (14°F) to 55°C (131°F) indoors ① Note: UL/ULC only evaluated 0°C-49°C |
| Storage Temperature | -20°C (-4°F) to 60°C (140°F) |
| Relative Humidity | Up to 95% non-condensing |
| Dimensions (LxWxD) | 107.5 x 69 x 30 mm (4.2 x 2.7 x 1.2 in.) |
| Weight (including battery) | 105 g (3.7 oz) |
| Color | White |
| Maximum Detection Range | 7.6 m (25 ft) if glass size is minimum 40 x 40 cm (15 ¾ in. x 15 ¾ in.) 6 m (20 ft) if glass size is 30 x 30 cm (12 in. x 12 in.) to 40 x 40 cm (15 ¾ in. x 15 ¾ in.) For UL/ULC maximum verified range is 6 m (20ft) |
| Glass Type | UL tested on: Plate, tempered, wired, laminated, covered, and sealed insulated |

Specifications

| | |
|--------------------------|---|
| Minimum Glass Size | UL tested on: 30 x 30 cm (12 in. x 12 in.) |
| Glass Thickness | UL tested on: <ul style="list-style-type: none">• Plate: 3.2 to 6.4 mm (1/8 in. to ¼ in.)• Tempered: 3.2 to 6.4 mm (1/8 in. to ¼ in.)• Wired: 6.4 mm (¼ in.)• Coated: 3.2 to 6.4 mm (1/8 in. to ¼ in.)• Laminated: 6.4 mm (¼ in.)• Sealed Insulating: 3.2 to 6.4 mm (1/8 in. to ¼ in.) Note: Laminated and Sealed Insulating glass types are protected only if both plates of the unit are broken. |
| Room Size | Not larger than 12 x 12 m (40 x 40 ft) Not smaller than 3 x 3 m (10 x 10 ft) |
| Min. Distance from Glass | 1.5 m (5 ft) |

Compliance with standards

The PGPx922 complies with the following standards:

| | |
|---------|---|
| PGP9922 | FCC (912 to 919 MHz): 47CFR part 15.247 ISED Canada (912 to 919 MHz): RSS-247 UL/ULC: UL 634, ULC/ORD-C634 |
|---------|---|

FCC and ISED Compliance Statement

This device complies with FCC Rules Part 15 and with ISED Canada license-exempt RSS standard(s). Operation is subject to two conditions:

(1) This device may not cause harmful interference, and (2) this device must accept any interference that may be received or that may cause undesired operation.

Le présent appareil est conforme aux CNR d'ISED Canada applicables aux appareils radio exempts de licence. L'exploitation est autorisée aux deux conditions suivantes:

(1) l'appareil ne doit pas produire de brouillage, et (2) l'utilisateur de l'appareil doit accepter tout brouillage radioélectrique subi, même si le brouillage est susceptible d'en compromettre le fonctionnement.

To comply with FCC Section 1.1310 for human exposure to radio frequency electromagnetic fields and ISED Canada requirements, implement the following instruction:

A distance of at least 20cm. between the equipment and all persons should be maintained during the operation of the equipment.

Le dispositif doit être placé à une distance d'au moins 20 cm à partir de toutes les personnes au cours de son fonctionnement normal. Les antennes utilisées pour ce produit ne doivent pas être situés ou exploités conjointement avec une autre antenne ou transmetteur.

① **Note:** This equipment has been tested and found to comply with the limits for a Class B digital device, pursuant to part 15 of the FCC Rules. These limits are designed to provide reasonable protection against harmful interference in a residential installation. This equipment generates, uses and can radiate radio frequency energy and, if not installed and used in accordance with the instructions, may cause harmful interference to radio communications. However, there is no guarantee that interference will not occur in a particular installation. If this equipment does cause harmful interference to radio or television reception, which can be determined by turning the equipment off and on, the user is encouraged to try to correct the interference by one or more of the following measures:

- Reorient or relocate the receiving antenna.
- Increase the separation between the equipment and receiver.
- Connect the equipment into an outlet on a circuit different from that to which the receiver is connected.
- Consult the dealer or an experienced radio/TV technician for help.

This Class B digital apparatus complies with Canadian ICES-003.

Cet appareil numérique de la classe B est conforme à la norme NMB-003 du Canada.

⚠ **WARNING:** Changes or modifications to this equipment not expressly approved by the party responsible for compliance (DSC.) could void the user's authority to operate the equipment.



UL/ULC notes

Limited Warranty

Only model PGP9922 operating in the frequency band 912-919MHz is UL/ULC listed. The PGP9922 has been listed by UL/ULC for commercial and residential burglary applications in accordance with the requirements in the Standards UL 634 and ULC/ORD-C634 for contacts and switches. For UL/ULC installations use this device only in conjunction with compatible DSC wireless receivers: HSM2HOST9, HS2LCDRF(P)9, HS2ICNRF(P) 9, HS2LCDRFPRO9, PG9920, and Qolsys IQPanel2, IQHub, IQPanel4. After installation, verify the product functionality in conjunction with the compatible receiver used.

Safety Instructions

Read the safety information before you install the equipment.

The detector shall be installed and used within an environment that provides the pollution degree max 2 and over voltages category II in non-hazardous locations, indoor only. The equipment is designed to be installed by SERVICE PERSONS only; (SERVICE PERSON is defined as a person having the appropriate technical training and experience necessary to be aware of hazards to which that person may be exposed in performing a task and of measures to minimize the risks to that person or other persons).

WEEE Product recycling declaration



For information regarding the recycling of this product you must contact the company from which you originally purchased it. If you are discarding this product and not returning it for repair then you must ensure that it is returned as identified by your supplier. This product is not to be thrown away with everyday waste.

Directive 2012/19/EU Waste Electrical and Electronic Equipment.

Limited Warranty

Digital Security Controls warrants that for a period of 12 months from the date of purchase, the product shall be free of defects in materials and workmanship under normal use and that in fulfillment of any breach of such warranty, Digital Security Controls shall, at its option, repair or replace the defective equipment upon return of the equipment to its repair depot. This warranty applies only to defects in parts and workmanship and not to damage incurred in shipping or handling, or damage due to causes beyond the control of Digital Security Controls such as lightning, excessive voltage, mechanical shock, water damage, or damage arising out of abuse, alteration or improper application of the equipment.

The foregoing warranty shall apply only to the original buyer, and is and shall be in lieu of any and all other warranties, whether expressed or implied and of all other obligations or liabilities on the part of Digital Security Controls. Digital Security Controls neither assumes responsibility for, nor authorizes any other person purporting to act on its behalf to modify or to change this warranty, nor to assume for it any other warranty or liability concerning this product.

In no event shall Digital Security Controls be liable for any direct, indirect or consequential damages, loss of anticipated profits, loss of time or any other losses incurred by the buyer in connection with the purchase, installation or operation or failure of this product.

Warning: *Digital Security Controls recommends that the entire system be completely tested on a regular basis. However, despite frequent testing, and due to, but not limited to, criminal tampering or electrical disruption, it is possible for this product to fail to perform as expected.*

Important Information: *Changes or modifications not expressly approved by Digital Security Controls could void the user's authority to operate this equipment.*

EULA

IMPORTANT READ CAREFULLY: DSC Software purchased with or without Products and Components is copyrighted and is purchased under the following license terms:

This End User License Agreement ("EULA") is a legal agreement between You (the company, individual or entity who acquired the Software and any related Hardware) and Digital Security Controls, a division of Tyco Safety Products Canada Ltd. ("DSC"), the manufacturer of the integrated security systems and the developer of the software and any related products or components ("HARDWARE") which You acquired.

If the DSC software product ("SOFTWARE PRODUCT" or "SOFTWARE") is intended to be accompanied by HARDWARE, and is NOT accompanied by new HARDWARE, You may not use, copy or install the SOFTWARE PRODUCT. The SOFTWARE PRODUCT includes computer software, and may include associated media, printed materials, and "online" or electronic documentation.

Any software provided along with the SOFTWARE PRODUCT that is associated with a separate end user license agreement is licensed to You under the terms of that license agreement.

By installing, copying, downloading, storing, accessing or otherwise using the SOFTWARE PRODUCT, You agree unconditionally to be bound by the terms of this EULA, even if this EULA is deemed to be a modification of any previous arrangement or contract. If You do not agree to the terms of this EULA, DSC is unwilling to license the SOFTWARE PRODUCT to You, and You have no right to use it.

SOFTWARE PRODUCT LICENSE

The SOFTWARE PRODUCT is protected by copyright laws and international copyright treaties, as well as other intellectual property laws and treaties. The SOFTWARE PRODUCT is licensed, not sold.

1. GRANT OF LICENSE. This EULA grants You the following rights:

(a) Software Installation and Use - For each license You acquire, You may have only one copy of the SOFTWARE PRODUCT installed.

(b) Storage/Network Use - The SOFTWARE PRODUCT may not be installed, accessed, displayed, run, shared or used concurrently on or from different computers, including a workstation, terminal or other digital electronic device ("Device"). In other words, if You have several workstations, You will have to acquire a license for each workstation where the SOFTWARE will be used.

(c) Backup Copy - You may make back up copies of the SOFTWARE PRODUCT, but You may only have one copy per license installed at any given time. You may use the back up copy solely for archival purposes. Except as expressly provided in this EULA, You may not otherwise make copies of the SOFTWARE PRODUCT, including the printed materials accompanying the SOFTWARE.

2. DESCRIPTION OF OTHER RIGHTS AND LIMITATIONS

(a) Limitations on Reverse Engineering, Decompilation and Disassembly - You may not reverse engineer, decompile, or disassemble the SOFTWARE PRODUCT, except and only to the extent that such activity is expressly permitted by applicable law notwithstanding this limitation. You may not make any changes or modifications to the Software, without the written permission of an officer of DSC. You may not remove any proprietary notices, marks or labels from the Software Product. You shall institute reasonable measures to ensure compliance with the terms and conditions of this EULA.

(b) Separation of Components - The SOFTWARE PRODUCT is licensed as a single product. Its component parts may not be separated for use on more than one HARDWARE unit.

(c) Single INTEGRATED PRODUCT - If You acquired this SOFTWARE with HARDWARE, then the SOFTWARE PRODUCT is licensed with the HARDWARE as a single integrated product. In this case, the SOFTWARE PRODUCT may only be used with the HARDWARE as set forth in this EULA.

(d) Rental - You may not rent, lease or lend the SOFTWARE PRODUCT. You may not make it available to others or post it on a server or web site.

(e) Software Product Transfer - You may transfer all of Your rights under this EULA only as part of a permanent sale or transfer of the HARDWARE, provided You retain no copies, You transfer all of the SOFTWARE PRODUCT (including all component parts, the media and printed materials, any upgrades and this EULA), and provided

the recipient agrees to the terms of this EULA. If the SOFTWARE PRODUCT is an upgrade, any transfer must also include all prior versions of the SOFTWARE PRODUCT.

(f) Termination - Without prejudice to any other rights, DSC may terminate this EULA if You fail to comply with the terms and conditions of this EULA. In such event, You must destroy all copies of the SOFTWARE PRODUCT and all of its component parts.

(g) Trademarks - This EULA does not grant You any rights in connection with any trademarks or service marks of DSC or its suppliers.

3. COPYRIGHT

All title and intellectual property rights in and to the SOFTWARE PRODUCT (including but not limited to any images, photographs, and text incorporated into the SOFTWARE PRODUCT), the accompanying printed materials, and any copies of the SOFTWARE PRODUCT, are owned by DSC or its suppliers. You may not copy the printed materials accompanying the SOFTWARE PRODUCT. All title and intellectual property rights in and to the content which may be accessed through use of the SOFTWARE PRODUCT are the property of the respective content owner and may be protected by applicable copyright or other intellectual property laws and treaties. This EULA grants You no rights to use such content. All rights not expressly granted under this EULA are reserved by DSC and its suppliers.

4. EXPORT RESTRICTIONS

You agree that You will not export or re export the SOFTWARE PRODUCT to any country, person, or entity subject to Canadian export restrictions.

5. CHOICE OF LAW: This Software License Agreement is governed by the laws of the Province of Ontario, Canada.

6. ARBITRATION

All disputes arising in connection with this Agreement shall be determined by final and binding arbitration in accordance with the Arbitration Act, and the parties agree to be bound by the arbitrator's decision. The place of arbitration shall be Toronto, Canada, and the language of the arbitration shall be English.

7. LIMITED WARRANTY

(a) NO WARRANTY

DSC PROVIDES THE SOFTWARE "AS IS" WITHOUT WARRANTY. DSC DOES NOT WARRANT THAT THE SOFTWARE WILL MEET YOUR REQUIREMENTS OR THAT OPERATION OF THE SOFTWARE WILL BE UNINTERRUPTED OR ERROR-FREE.

(b) CHANGES IN OPERATING ENVIRONMENT

DSC shall not be responsible for problems caused by changes in the operating characteristics of the HARDWARE, or for problems in the interaction of the SOFTWARE PRODUCT with non-DSC-SOFTWARE or HARDWARE PRODUCTS.

(c) LIMITATION OF LIABILITY; WARRANTY REFLECTS ALLOCATION OF RISK

IN ANY EVENT, IF ANY STATUTE IMPLIES WARRANTIES OR CONDITIONS NOT STATED IN THIS LICENSE AGREEMENT, DSC'S ENTIRE LIABILITY UNDER ANY PROVISION OF THIS LICENSE AGREEMENT SHALL BE LIMITED TO THE GREATER OF THE AMOUNT ACTUALLY PAID BY YOU TO LICENSE THE SOFTWARE PRODUCT AND FIVE CANADIAN DOLLARS (CAD\$5.00). BECAUSE SOME JURISDICTIONS DO NOT ALLOW THE EXCLUSION OR LIMITATION OF LIABILITY FOR CONSEQUENTIAL OR INCIDENTAL DAMAGES, THE ABOVE LIMITATION MAY NOT APPLY TO YOU.

(d) DISCLAIMER OF WARRANTIES

THIS WARRANTY CONTAINS THE ENTIRE WARRANTY AND SHALL BE IN LIEU OF ANY AND ALL OTHER WARRANTIES, WHETHER EXPRESSED OR IMPLIED (INCLUDING ALL IMPLIED WARRANTIES OF MERCHANTABILITY OR FITNESS FOR A PARTICULAR PURPOSE) AND OF ALL OTHER OBLIGATIONS OR LIABILITIES ON THE PART OF DSC. DSC MAKES NO OTHER WARRANTIES. DSC NEITHER ASSUMES NOR AUTHORIZES ANY OTHER PERSON PURPORTING TO ACT ON ITS BEHALF TO MODIFY OR TO CHANGE THIS WARRANTY, NOR TO ASSUME FOR IT ANY OTHER WARRANTY OR LIABILITY CONCERNING THIS SOFTWARE PRODUCT.

(e) EXCLUSIVE REMEDY AND LIMITATION OF WARRANTY

UNDER NO CIRCUMSTANCES SHALL DSC BE LIABLE FOR ANY SPECIAL, INCIDENTAL, CONSEQUENTIAL OR INDIRECT DAMAGES BASED UPON BREACH OF WARRANTY, BREACH OF CONTRACT, NEGLIGENCE, STRICT LIABILITY, OR ANY OTHER LEGAL THEORY. SUCH DAMAGES INCLUDE, BUT ARE NOT LIMITED TO, LOSS OF PROFITS, LOSS OF THE SOFTWARE PRODUCT OR ANY ASSOCIATED EQUIPMENT, COST OF CAPITAL, COST OF SUBSTITUTE OR REPLACEMENT EQUIPMENT, FACILITIES OR SERVICES, DOWN TIME, PURCHASERS TIME, THE CLAIMS OF THIRD PARTIES, INCLUDING CUSTOMERS, AND INJURY TO PROPERTY.

WARNING: DSC recommends that the entire system be completely tested on a regular basis. However, despite frequent testing, and due to, but not limited to, criminal tampering or electrical disruption, it is possible for this SOFTWARE PRODUCT to fail to perform as expected.

Website: www.dsc.com

Tech. support: 1-800- 387-3630