
1080p Indoor Wi-Fi Camera (ADC-V516) - Installation Guide

Pre-installation checklist

- ADC-V516 camera (included)
- AC power adapter (included)
- 2.4 GHz or 5 GHz Wi-Fi connection to broadband internet (Cable, DSL, or Fiber Optic). For information about bandwidth requirements, see [What are the internet service and bandwidth requirements for Alarm.com video devices?](#)
- An Alarm.com account with a service package that supports video
- A computer, tablet, or smartphone with Wi-Fi is required if the router does not have the Wi-Fi Protected Setup (WPS) feature

There are two options for connecting the ADC-V516 to the Internet: Access Point (AP) mode and Wi-Fi Protected Setup (WPS) mode. Use WPS mode if you have easy access to the customer's router and the router has the WPS feature enabled.

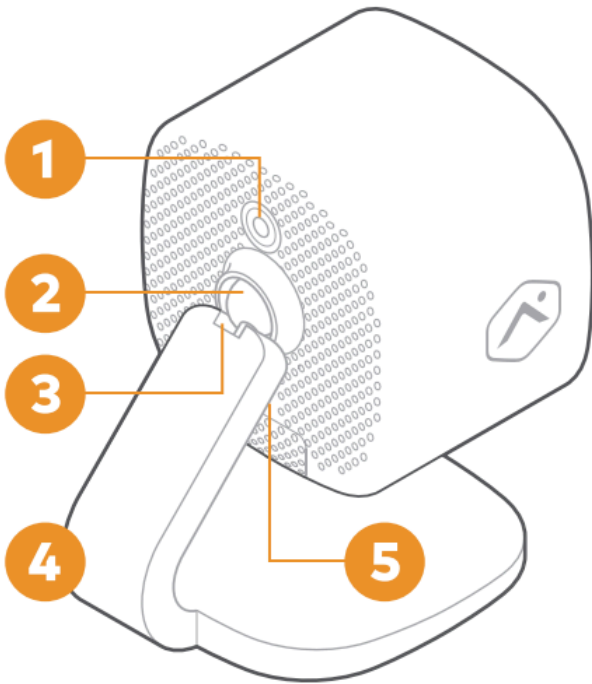
Note: Some Internet Service Providers disable the WPS feature on customer routers. AP mode is the most reliable wireless method for installing this device.

In the box

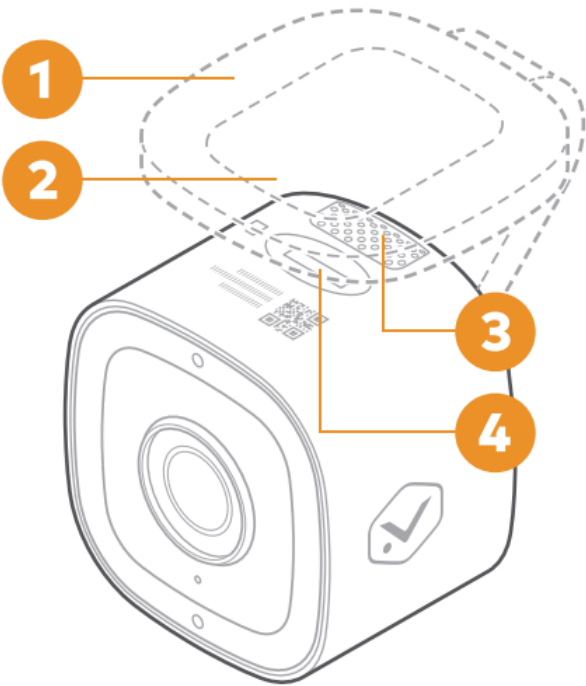
- ADC-V516 camera
- Mounting bracket
- Power adapter
- Installation guide
- Wall anchors & screws (x3) (use 3/16" or 5 mm drill bit and in length 23 mm)

Overview

1. DC power connector
2. Friction ball joint
3. Friction hinge joint
4. Base
5. Reset / WPS button



1. Rubber pad
2. Mounting recess
3. Speaker
4. Micro SD card slot



Installation and enrollment

For information about general video installation and maintenance guidelines, see [Video Installation Best Practices](#).

Connect the camera to the Wi-Fi network

Expand all

AP mode ^

To ensure a sufficient Wi-Fi signal, complete these steps with the camera near its final location but prior to mounting.

1. Connect the camera's AC power adapter and plug it into a non-switched outlet. If the standard power supply is too short to reach an outlet, see [How do I extend the power supply of a camera?](#)
2. The camera's LED will begin to blink white. If the LED is not white after 2 minutes, hold down the reset button and release when the LED begins to blink white (about 6 seconds).
3. On an Internet-enabled device, connect to the Wi-Fi network *ADC-V516 (XX:XX:XX)* where *XX:XX:XX* is the last six characters of the ADC-V516's MAC address, which is located on the camera or on the packaging.
4. On the same device, open a web browser and enter <http://v516install> in the URL field. Follow the on-screen instructions to add the ADC-V516 to the Wi-Fi network. The LED will be solid green when the connection is complete.

WPS mode ^

To ensure a sufficient Wi-Fi signal, complete these steps with the camera near its final location but prior to mounting.

1. Connect the camera's AC power adapter and plug it into a non-switched outlet.
2. Hold down the **Reset** button on the back of the camera and release when the LED begins to blink blue (about 3 seconds).
3. Activate the WPS mode on the router. The camera will begin to connect to the Wi-Fi network. The LED will be solid green when the connection is complete.

Enroll the camera to an account

The ADC-V516 can be enrolled to a customer account using the MobileTech app, Customer app, or Customer website.

To enroll the camera to an account using the MobileTech app: ^

1. Log in to the MobileTech app.
2. Select the customer account.
3. Tap +.

4. Tap **Video**.
5. Follow the on-screen instructions to finish adding the camera.

After adding the camera to the account, the camera may now be powered down and installed in its final location using the included hardware. The camera settings can be configured using the Customer website.

To enroll the camera to an account using the Customer app: ^

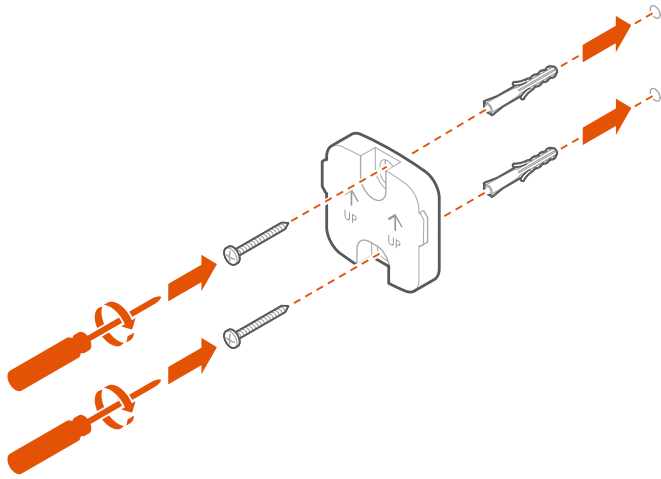
1. Log in to the Customer app using the customer's username and password.
2. Tap ≡.
3. Tap **Add Device**.
4. Tap **Video Camera**.
5. Tap **ADC-V516**.
6. Follow the on-screen instructions to finish adding the camera.

To enroll the camera to an account using the Customer website: ^

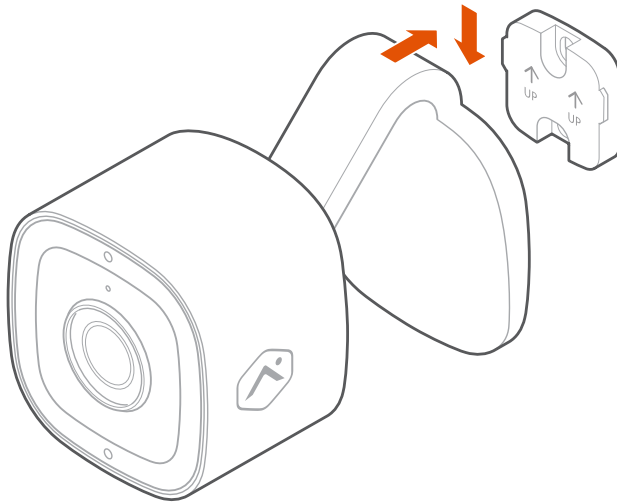
1. Using a web browser, enter the following URL: **www.alarm.com/addcamera**. The username and password of the account are required to log in to the Customer website.
2. Select the camera from the video device list or enter its MAC address to begin adding the camera. The MAC address is located on the bottom of the device or on the packaging.
3. Follow the on-screen instructions to finish adding the camera.

Mount the camera in its final location

1. Bring the ADC-V516 camera, mounting bracket, power adapter, and wall anchors and screws (use a 3/16" or 5 mm drill bit) to the camera's desired location. This location should be near a power outlet and within range of the Wi-Fi network.
2. Use the mounting bracket to mark the screw holes on the wall. Drill holes at the marked locations and insert the wall anchors. Attach the mounting bracket to the wall using the screws provided.



3. Attach the camera to the mounting bracket.





4. Connect the camera's DC power adapter and plug it into an outlet.
5. Adjust the camera angle as needed using the friction ball joint and hinge joint and ensure the camera is securely mounted.

LED reference guide

LED status

LED pattern	Description
Off 	Power off
Solid green 	Connected to Alarm.com
Blinking green 	Local network connection
Blinking red 	Power on, camera booting
Blinking blue 	WPS mode
Blinking white 	Wi-Fi Access Point mode

Trouble condition

LED pattern	Description
Solid red 	No local or Internet connection
Blinking red and green 	Reverting to factory default settings

Troubleshooting

- If there are issues connecting the camera to the account, power cycle the camera and try again.
- If issues persist, press and hold the **Reset** button located on the bottom of the camera until the LED is blinking green and red (about 15 seconds), then release the button. The camera will reboot with factory default settings.

Important: If the camera was previously installed to an Alarm.com account, it will need to be deleted before it can be installed again.

Notices

IFT



1. IFT #: JOALAD25-33088
2. La operación de este equipo está sujeta a las siguientes dos condiciones: (1) es posible que este equipo o dispositivo no cause interferencia perjudicial y (2) este equipo o dispositivo debe aceptar cualquier interferencia, incluyendo la que pueda causar su operación no deseada.

FCC

This equipment has been tested and found to comply with the limits for a Class B digital device, pursuant to Part 15 of the FCC Rules. These limits are designed to provide reasonable protection against harmful interference in a residential installation. This equipment generates, uses and can radiate radio frequency energy and, if not installed and used in accordance with the instructions, may cause harmful interference to radio communications. However, there is no guarantee that interference will not occur in a particular installation. If this equipment does cause harmful interference to radio or television reception, which can be determined by turning the equipment off and on, the user is encouraged to try to correct the interference by one or more of the following measures:

- Reorient or relocate the receiving antenna.
- Increase the separation between the equipment and receiver.
- Connect the equipment into an outlet on a circuit different from that to which the receiver is connected.
- Consult the dealer or an experienced radio/TV technician for help.

FCC Caution: Any changes or modifications not expressly approved by the party responsible for compliance could void the user's authority to operate this equipment.

This device complies with Part 15 of the FCC Rules. Operation is subject to the following two conditions:

1. This device may not cause harmful interference, and
2. This device must accept any interference received, including interference that may cause undesired operation.

This device is restricted to indoor use.

FCC Radiation Exposure Statement:

This equipment complies with FCC radiation exposure limits set forth for an uncontrolled environment. This equipment should be installed and operated with minimum distance 20cm between the radiator & your body.

ISED

This device contains license-exempt transmitter(s)/receiver(s) that comply with Innovation, Science and Economic Development Canada's license-exempt RSS(s). Operation is subject to the following two conditions:

1. This device may not cause interference.
2. This device must accept any interference, including interference that may cause undesired operation of the device.

L'émetteur/récepteur exempt de licence contenu dans le présent appareil est conforme aux CNR d'Innovation, Sciences et Développement économique Canada applicables aux appareils radio exempts de licence. L'exploitation est autorisée aux deux conditions suivantes:

1. L'appareil ne doit pas produire de brouillage;
2. L'appareil doit accepter tout brouillage radioélectrique subi, même si le brouillage est susceptible d'en compromettre le fonctionnement.

This device is restricted to indoor use.

IC Radiation Exposure Statement:

This equipment complies with IC RSS-102 radiation exposure limits set forth for an uncontrolled environment. This equipment should be installed and operated with minimum distance 20 cm between the radiator & your body.

Cet équipement est conforme aux limites d'exposition aux rayonnements IC établies pour un environnement non contrôlé. Cet équipement doit être installé et utilisé avec un minimum de 20 cm de distance entre la source de rayonnement et votre corps.

Canada ICES-003 (B) / NMB-003 (B)

EU Declaration of Conformity statement

Hereby, Alarm.com Incorporated declares that the radio equipment type ADC-V516 is in compliance with Directive 2014/53/EU. The full text of the EU declaration of conformity is available at the following internet address:

<https://www.alarm.com/about/international/eu-red>

Chile SUBTEL

Commercial information

Date of publication <i>Fecha</i>	18/12/2025
Commercial Name <i>Nombre Comercial del Equipo</i>	CAMARA 1080P WIFI PARA INTERIORES
Manufacturer <i>Fabricante</i>	Alarm.com Incorporated
Chile Representative <i>Representante en Chile</i>	Asesorías Hernández y Grimberg Limitada Certificación Telecom
Chile Rep Address <i>Domicilio</i>	Moneda 920, Apt. 305, Santiago, Chile RUT: 76.499.456-6
Chile Rep Email <i>Correo Electrónico de Contacto</i>	contacto@certificacion-telecom.cl www.certificacion-telecom.cl

Website
Sítio Web

www.alarm.com

Technical information

Equipment Type
Tipo de Equipo

Cámara de Seguridad

Brand
Marca

ALARM.COM

Model Name
Modelo

ADC-V516

Technology
Tecnología

WLAN 2.4 GHz (IEEE 802.11 b/g/n)
WLAN 5 GHz (IEEE 802.11 a/n)
BLE 2.4 GHz (IEEE 802.15.1)

WLAN 2.4 GHz:

- 2400 – 2483.5 MHz

WLAN 5 GHz:

- 5150 - 5250 MHz
- 5250 - 5350 MHz
- 5470 - 5725 MHz
- 5725 - 5850 MHz

Frequency
Bandas de Frecuencias

BLE:

- 2400 - 2483.5 MHz

WLAN 2.4 GHz:

- 2400 - 2483.5 MHz: 2.79 dBi

WLAN 5 GHz:

- 5180 - 5240 MHz: 3.06 dBi
- 5260 - 5320 MHz: 3.28 dBi
- 5500 - 5720 MHz: 3.28 dBi
- 5745 - 5825 MHz: 3.79 dBi

BLE:

- 2402 - 2483.5 MHz: 2.79 dBi

Antenna Gain
Ganancia de Antena

EIRP
PIRE

WLAN 2.4 GHz: 25.17 dBm PIRE
WLAN 5 GHz: 24.62 dBm PIRE
BLE: 18.59 dBm PIRE

Modules
Módulos

Realtek RTL8733BU

Other

Declaration of Conformity Statement
Declaración de Conformidad

El equipo previamente individualizado cumple con las disposiciones establecidas en la Norma Técnica de Equipos de alcance reducido, aprobada por la resolución exenta N° 1.985, de 2017, de la Subsecretaría de Telecomunicaciones.

Test Reports
Informe de Ensayo

[V516 - EU CE - ER4N1236-01AL - LE](#)
[V516 - EU CE - ER4N1236-01AC - WLAN 2.4G](#)
[V516 - EU CE - ER4N1236-01AN - WLAN 5G](#)

Certificate Number
Número de Certificado

DO 114157/F-25

Certificate SUBTEL
Certificado SUBTEL

[ADC-V516 Chile SUBTEL certificate](#)