

# DHI-VTA8311A

## Dahua Alarm Column



### System Overview

Specially built for emergencies, the VTA8 Series Emergency Phone Terminal is an emergency device that contacts the alarm receiving center by just the press of a button. It has a 2-MP HD camera, high-sensitivity microphone, dual network ports and an optional 4G module integrated into its design. Highly intuitive, it features functions such as two-way audio and voice broadcast, and for select models, the terminal can remotely open its own compartments. Convenient and easy to use, the phone terminal has a built-in PSTN module that connects to the telephone line and links to the alarm receiving center, allowing you to make calls directly from the terminal. It is also compatible with external speed dome, bullet cameras and LED displays, and is applicable for use in schools, public squares, transit stations, scenic areas, hospitals, and more.

### Scene

Suitable for different scenes such as schools, squares, transit stations, scenic spots, and hospitals.

### Technical Specification

#### Port

Alarm Input	2
Alarm Output	2
Network Port	2 × RJ-45 10/100 Mbps self-adaptive Ethernet port
Telephone Line	1 × PSTN
SIM Card Slot	Yes (4G is optional)
RS-232	1
RS-485	1 (supports accessing a dot-matrix display)

- With its 2-MP high-definition camera, the device supports video and snapshot linkage, and OSD overlay on the webpage.
- 30 W speakers and highly sensitive microphones are included.
- The 2 RJ-45 10/100 Mbps self-adaptive Ethernet ports allow alarms to be reported to 2 alarm receiving centers at the same time.
- Supports two-way voice talk and calling through the platform or management device to broadcast your voice.
- Supports being linked to alarm receiving centers. Similar to a landline telephone, the included PSTN module allows phone calls to be made.
- Supports accessing PTZ cameras, bullet cameras, and LEDs.

Auxiliary Power Output	1 × 12 V/1 A
SD Card Slot	1 × Micro SD card slot (maximum 256 GB)
<b>Video &amp; Audio</b>	
Video Compression	H.264/H.265
Audio Input	Supports 1 audio input channel with a maximum pickup distance of 5.0 m (16.40 ft) Supports accessing an external pickup.
Audio Output	Supports 1 audio output channel with a maximum power of 30 W Supports accessing an active speaker.
Audio Compression	G.711a/G.711U/PCM/G.726/AAC
Volume Control	Yes
Two-way Audio	Yes
Field of View	D: 105° H: 88° V: 44°
Resolution	704 × 480; 640 × 480; 1280 × 720; 1920 × 1080
Frame Rate	1–25 fps
Illumination Mode	IR illumination
Illumination Range	30 m (98.43 ft)
Day/Night Switch	Yes
<b>Function</b>	
Indicator Light	2 function indicators (alarm and alarm button)
Button	1 × alarm button
External Accessories	Vertical pole
Phone Call	Yes
Video Linkage	Yes

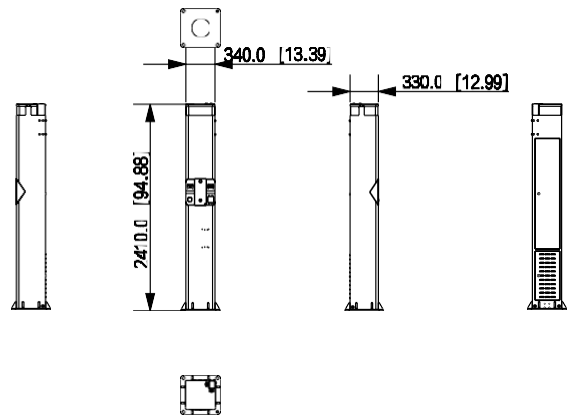
# DHI-VTA8311A

Camera Video and Snapshot Linkage	Yes
OSD Overlay	Up to 5 lines can be added with 60 English letters in each line on webpage
Arm and Disarm	Arming/Disarming on webpage
Remote Update	Yes
Network Protocol	DHCP; UPNP; NTP
FTP Server	Yes
Tamper	2-channel door detector tamper alarm
Logs	Stores up to 10,000 logs, including alarm events and operation logs
Search for Remote Alarm Event	Yes

## General

Language	English
Power Supply	110–240 VAC
Power Consumption	Idling: 20 W (without speakers) Full load: 55 W
Operating Temperature	–30 °C to +65 °C (–22 °F to +149 °F)
Operating Humidity	93% & +40 °C (+104 °F)
Product Dimensions	2,410 mm × 340 mm × 330 mm (94.88" × 13.38" × 12.99")
Packaging Dimensions	2,667 mm × 615 mm × 715 mm (105.00" × 24.21" × 28.15")
Net Weight	95 kg (209.44 lb)
Gross Weight	110 kg (242.51 lb)
Installation	footing cage mount
Casing Material	Galvanized plate
Protection	IPX5

## Dimensions (mm[inch])



## Application

