

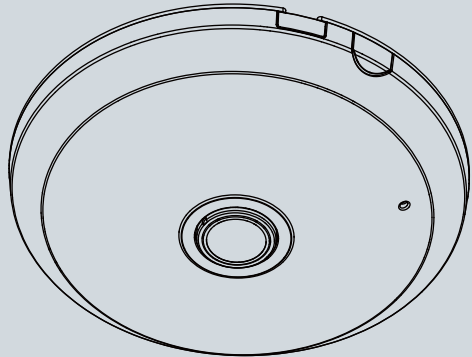


FE9181-H Fixed Dome
Network Camera

Quick Installation Guide

English | 繁體中文 | 簡體中文 | 日本語 | Français | Español | Deutsch | Português | Italiano | Türkçe | Polski | Русский | Česky | Svenska | Dutch
Dansk | Indonesia | العربية

5MP • 360° Surround View • H.265 • PoE



SUPREME

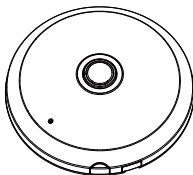


Warning Before Installation

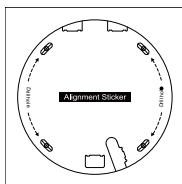
- Power off the Network Camera as soon as smoke or unusual odors are detected.
- Do not place the Network Camera on unsteady surfaces.
- Do not insert sharp or tiny objects into the Network Camera.
- Refer to your user's manual for the operating temperature.
- Do not touch the Network Camera during a lightning storm.
- Do not drop the Network Camera.

1 Package Contents

● FE9181-H



● Alignment Sticker



● Quick Installation Guide



● Screws / Anchors / Cable tie



● Software CD



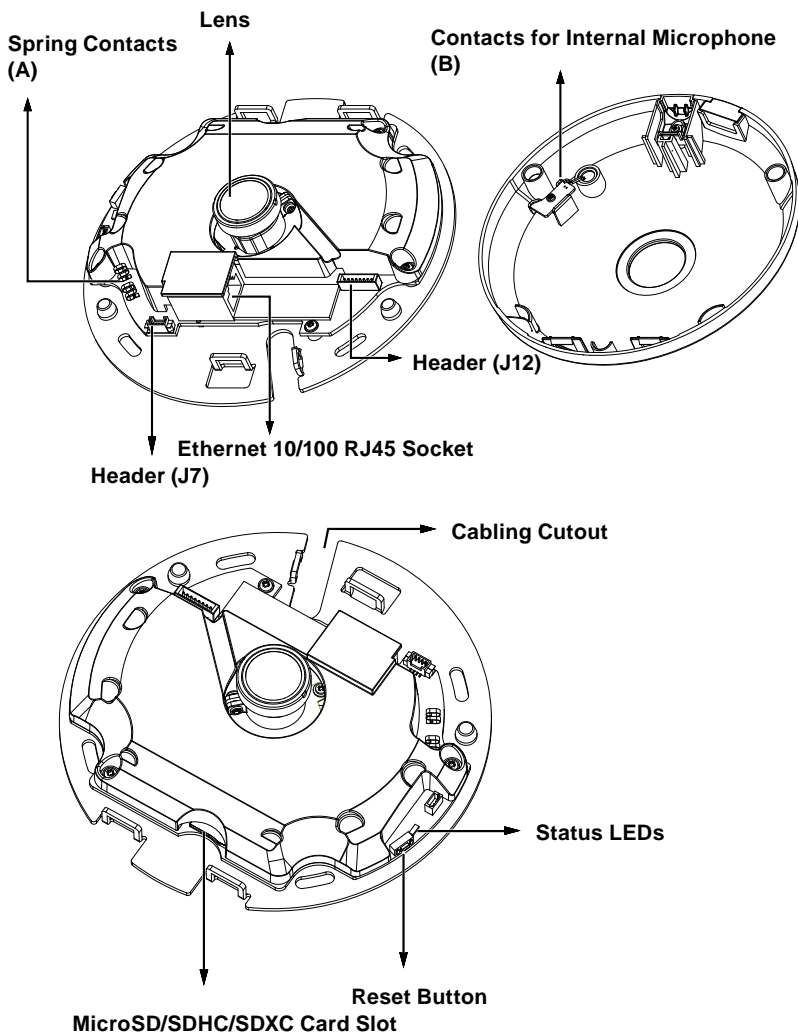
● Power & I/O Cables



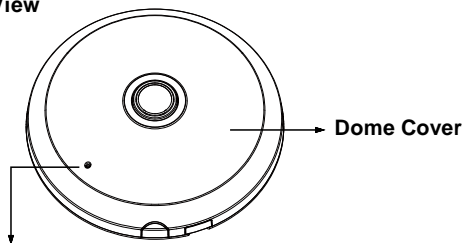
(Sold Separately in US & Canada)

2 Physical Description

● Inner View



● Outer View

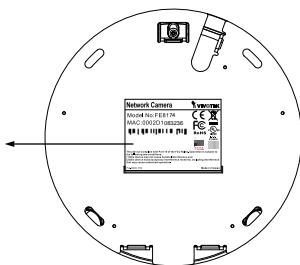


Built-in Microphone



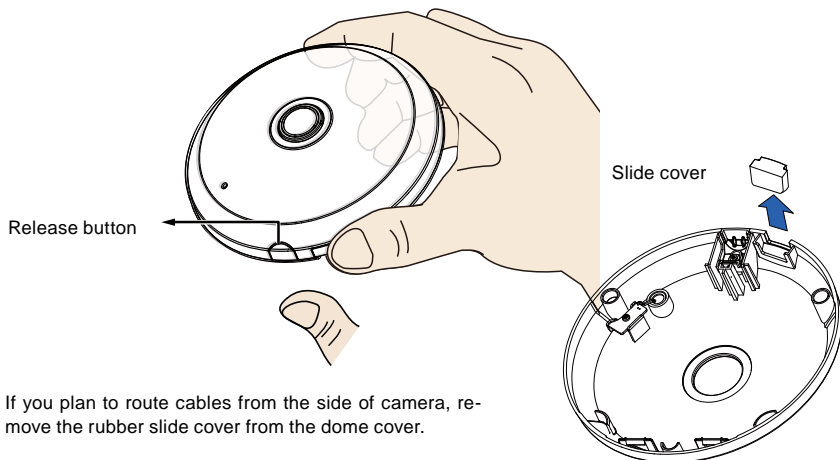
IMPORTANT:

Record the MAC address under the camera base before installing the camera.



3 Hardware Installation

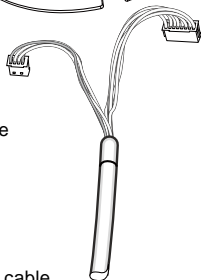
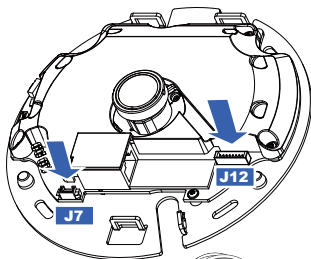
First, open the dome cover by pressing the release button. You may squeeze the opposite edge of the dome cover if the dome cover does not come off easily. Then, follow the steps below to install the camera to either a ceiling or a wall.



If you plan to route cables from the side of camera, remove the rubber slide cover from the dome cover.

Connecting Ethernet Cable & the Power and IO Cable

Connect the supplied power & IO cables if your switch does not support PoE. Connect the white header connectors to J12 and J7 on the camera.



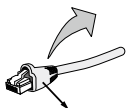
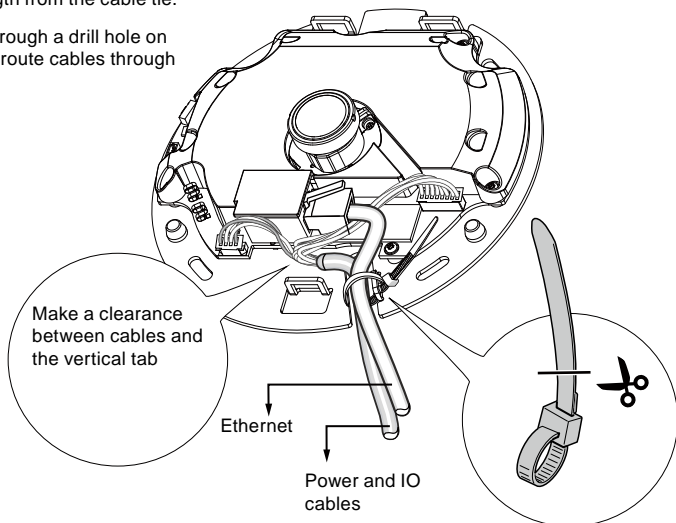
Power & IO Cable

Connecting Cables

If you need to route cables through the side opening, proceed with the following:

1. Connect the Ethernet and the Power & IO cables. The Ethernet cable is user-supplied.
2. Use an included cable tie to secure the Ethernet and IO cable to the base plate. Insert the cable tie through the vertical mounting tab located on the edge of the cabling cutout.
3. Make a clearance between cables and the vertical mounting tab. Arrange the cables neatly to avoid getting in the way when the dome cover is attached.
4. Cut the extra length from the cable tie.

If you route cables through a drill hole on a wall/ceiling, simply route cables through the cabling cutout.

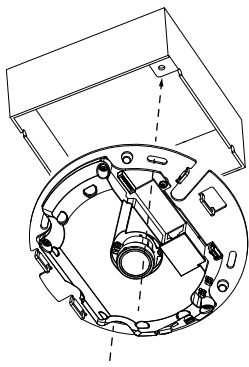
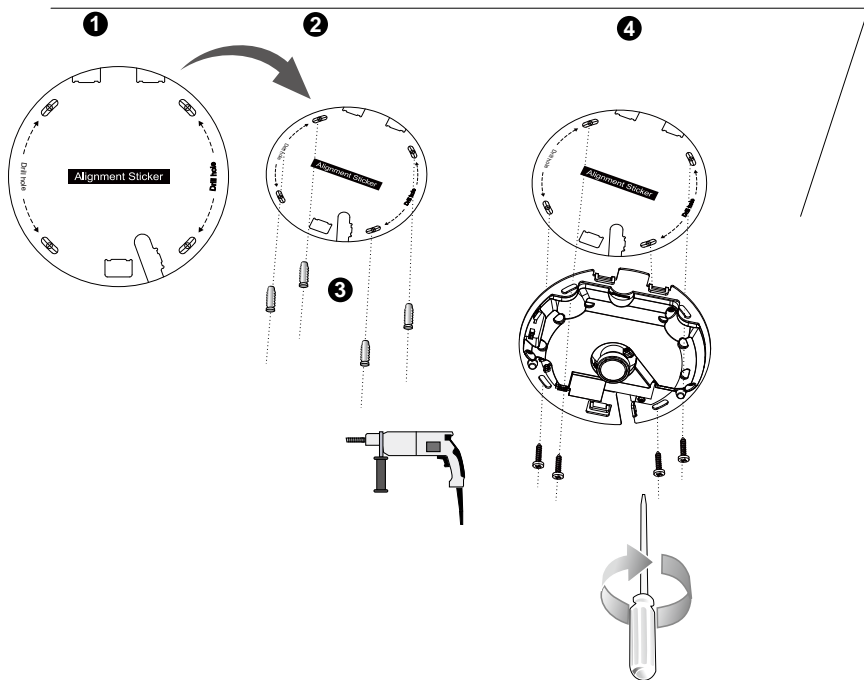


Strain relief boot

It is recommended to remove the strain relief boot if your Ethernet cable comes with one.

Ceiling or Wall Mount

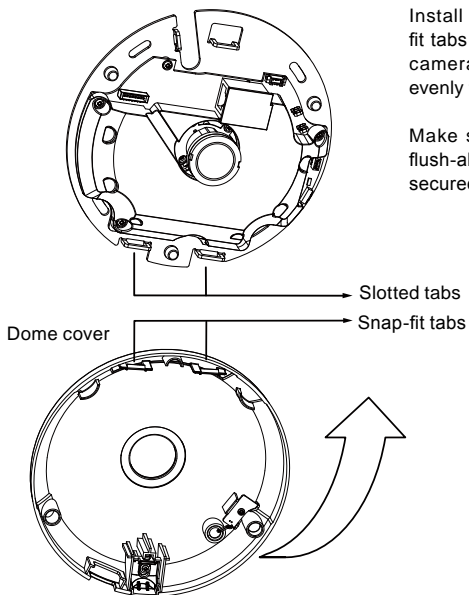
1. Attach the supplied alignment sticker for the camera base to the a ceiling or wall.
2. Using the circles on the sticker, drill pilot holes into the ceiling. Then hammer the supplied plastic anchors into the holes.
3. (Optional) Drill a cable hole on the ceiling/wall, and feed the cables through the hole.
4. Secure the camera base to the ceiling/wall with the supplied screws.



NOTE:

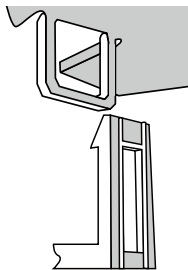
You may also install the camera to a U.S. standard 4 in. junction box. You can align the camera's curved slots with the mounting holes on a junction box. Use diagonal mounting positions on the camera to match those on a junction box.

Attach the Dome Cover



Install the plastic dome cover by aligning the snap-fit tabs on the dome cover with the slotted tabs on the camera base. Install the dome cover by pressing it evenly to the camera base.

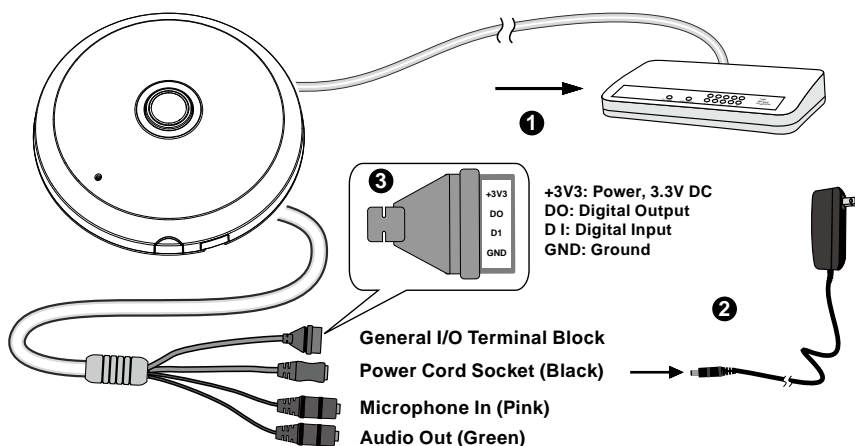
Make sure the dome cover and the base plate are flush-aligned before pressing down. The dome cover is secured using a snap-fit mechanism.



4 Network Deployment

General Connection (without PoE)

1. Connect RJ45 Ethernet cable to a switch.
2. Connect the power cable from the Network Camera to a power outlet.
3. If you have external devices such as sensors and alarms, make the connection from the general I/O terminal block.



NOTE:

If DC power is preferred, it should comply with: O/P: 12VDC, 1.5Amin., L.P.S. per IEC 60950-1.

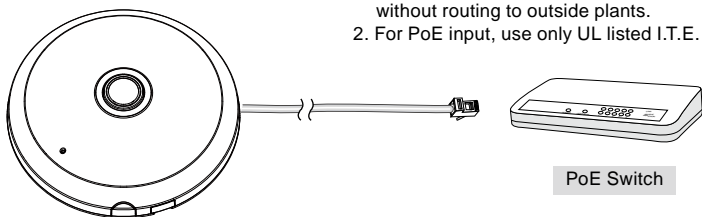
Power over Ethernet (PoE)

● When using a PoE-enabled switch

The Network Camera is PoE-compliant, allowing transmission of power and data via a single Ethernet cable. Follow the below illustration to connect the Network Camera to a PoE-enabled switch via Ethernet cable.

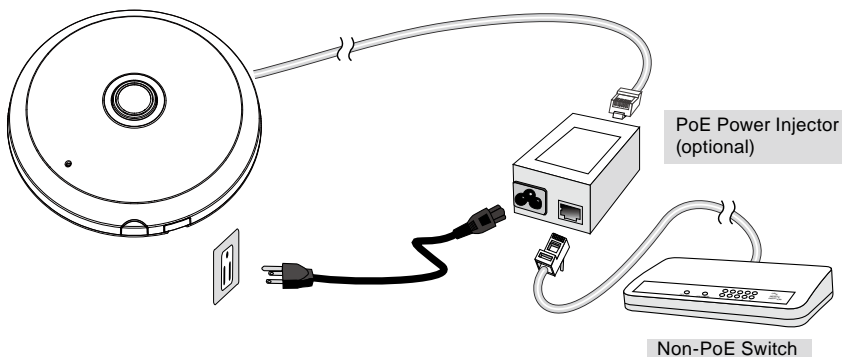
NOTE:

1. This equipment is only to be connected to PoE networks without routing to outside plants.
2. For PoE input, use only UL listed I.T.E. with PoE output.



● When using a non-PoE switch

Use a PoE power injector (optional) to connect between the Network Camera and a non-PoE switch.



5 Assigning an IP Address

1. Install "Installation Wizard 2" from the Software Utility directory on the software CD.
2. The program will conduct an analysis of your network environment. After your network is analyzed, please click on the "Next" button to continue the program.
3. The program will search for VIVOTEK Video Receivers, Video Servers, and Network Cameras on the same LAN.
4. After a brief search, the main installer window will pop up. Double-click on the MAC address that matches the one printed on the camera label or the serial number on the package box label to open a browser management session with the Network Camera.

6 Ready to Use

1. A browser session with the Network Camera should prompt as shown below.
2. You should be able to see live video from your camera. You may also install the 32-channel recording software from the software CD in a deployment consisting of multiple cameras. For its installation details, please refer to its related documents.



For further setup, please refer to the user's manual on the software CD.

NOTE:

If you encounter problems with displaying live view or the onscreen plug-in control, you may try to remove the plug-ins that might have been installed on your computer. Remove the following folder: C:\Program Files (x86)\Camera Stream Controller\.

Quick Installation Guide



Quick Installation Guide



Quick Installation Guide



Quick Installation Guide



Quick Installation Guide



HARDWARE LIMITED WARRANTY

What Is Covered: This warranty covers any hardware defects in materials or workmanship, with the exceptions stated below.

How Long Coverage Lasts: This warranty lasts for TWENTY-FOUR MONTHS from the date of purchase by the original end-user customer.

What Is Not Covered: This warranty does not cover cosmetic damage or any other damage or defect caused by abuse, misuse, neglect, use in violation of instructions, repair by an unauthorized third party, or an act of God. Also, if serial numbers have been altered, defaced, or removed. Further, consequential and incidental damages are not recoverable under this warranty.

What VIVOTEK Will Do: VIVOTEK will, in our sole discretion, repair or replace any product that proves to be defective in material or workmanship. Any repair or replaced part of the product will receive a THREE-MONTH warranty extension.

How To Get Service: Contact our authorized distributors in your region. Please check our website (www.vivotek.com) for the information of an authorized distributor near you.

Your Rights: SOME STATES DO NOT ALLOW EXCLUSION OR LIMITATION OF CONSEQUENTIAL OR INCIDENTAL DAMAGES, SO THE ABOVE EXCLUSION OR LIMITATION MAY NOT APPLY TO YOU. THIS WARRANTY GIVES YOU SPECIFIC LEGAL RIGHTS, AND YOU MAY ALSO HAVE OTHER RIGHTS WHICH VARY FROM STATE TO STATE.

VIVOTEK INC.

6F, No. 192, Lien-Cheng Rd., Chung-Ho,
Taipei County, Taiwan.
www.vivotek.com

-
1. Proof of the date of purchase is required. In the event you can not render such document, warranty will commence from the date of manufacture.
 2. Cosmetic damage will only be covered by this warranty if such damage has been existed at the time of purchase.

P/N:625033400G Rev.: 1.0

All specifications are subject to change without notice.
Copyright © 2015 VIVOTEK INC. All rights reserved.



VIVOTEK INC.

6F, No.192, Lien-Cheng Rd., Chung-Ho, New Taipei City, 235, Taiwan, R.O.C.
|T: +886-2-82455282 | F: +886-2-82455532 | E: sales@vivotek.com

VIVOTEK USA, INC.

2050 Ringwood Avenue, San Jose, CA 95131
|T: 408-773-8686 | F: 408-773-8298 | E: salesusa@vivotek.com

VIVOTEK Europe

Randstad 22-133, 1316BW Almere, The Netherlands
T: +31(0)36-5298-434 E: saleseurope@vivotek.com