



YLI ELECTRONIC

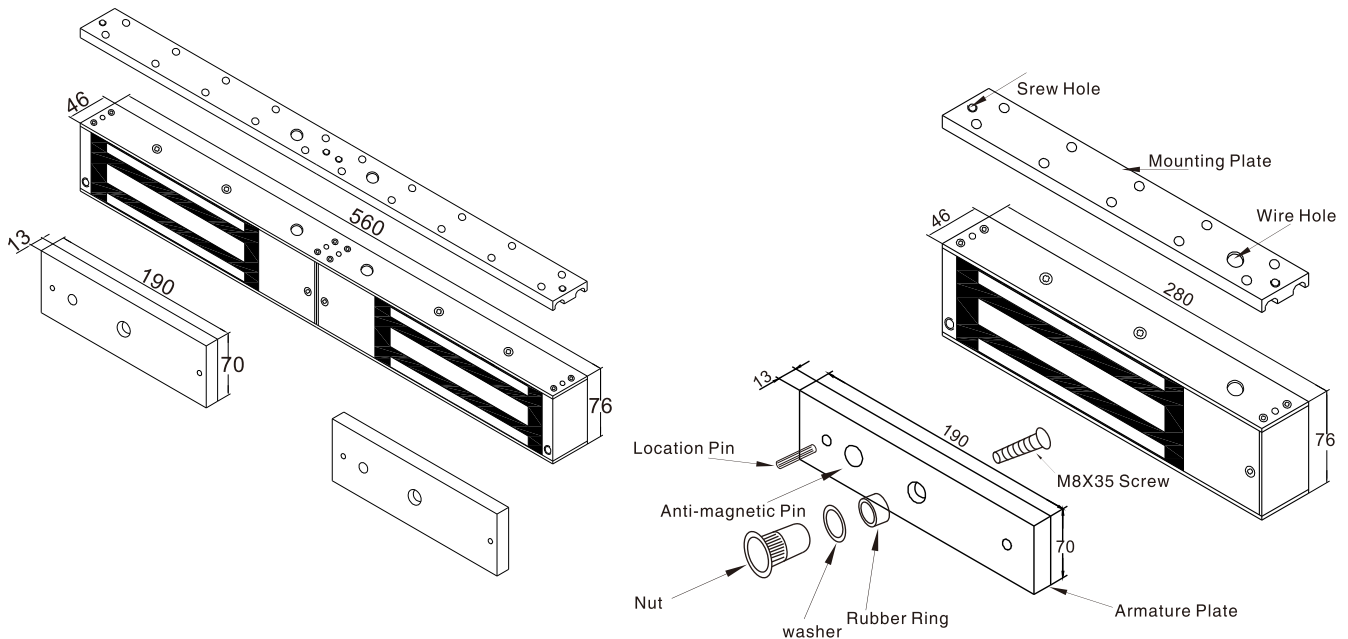
Magnetic Lock (750kg)



Specification

Model	Size(unit:mm)	Voltage	Current	Holding Force	Signal Output	Door
YM-750	280Lx81.6Wx46H	12/24VDC	12V/420mA±10% 24V/210mA±10%	750kg(1500Lbs)	No	Single Door
YM-750D	560Lx81.6Wx46H	12/24VDC	12V/420mA±10% \times 2 24V/210mA±10% \times 2	750kg \times 2(1500Lbs \times 2)	No	Double Door
YM-750(LED)	280Lx81.6Wx46H	12/24VDC	12V/420mA±10% 24V/210mA±10%	750kg(1500Lbs)	Yes	Single Door
YM-750D(LED)	560Lx81.6Wx46H	12/24VDC	12V/420mA±10% \times 2 24V/210mA±10% \times 2	750kg \times 2(1500Lbs \times 2)	Yes	Double Door
YM-750T(LED)	280Lx81.6Wx46H	12/24VDC	12V/420mA±10% 24V/210mA±10%	750kg(1500Lbs)	Yes	Single Door
YM-750TD(LED)	560Lx81.6Wx46H	12/24VDC	12V/420mA±10% \times 2 24V/210mA±10% \times 2	750kg \times 2(1500Lbs \times 2)	Yes	Double Door

Diagram(unit:mm)



⚠ Cautions:

- The screw of armature plate should not be fixed too tight. Proper elasticity should be guaranteed for the rubber ring so that the armature plate can adjust itself to the appropriate position.
- Check the jumper's position before connecting. Figure out it represents 12VDC or 24VDC.
- Please keep the surface of the lock clean, or the force will be reduced because of the dust, glue or scotch tape on it.