



FE9180-H

Fisheye Network Camera

5MP • WDR Pro • Smart Stream III • 360° Surround View • Fisheye Dewarp

- 15 fps @ 1920x1920
- 1.16 mm Fisheye Lens for 180° Panoramic View and 360° Surround View
- WDR Pro for Unparalleled Visibility in High Contrast Environments
- Smart Stream III to Optimize Bandwidth Efficiency
- Built-in Microphone
- Built-in 802.3af Compliant PoE
- Built-in MicroSD/SDHC/SDXC Card Slot for On-board Storage
- ePTZ for Data Efficiency
- Compact Design
- VIVOCLOUD App & Portal for 24/7 Surveillance (manually upload VIVOCLOUD VADP package)



Technical Specifications

System Information

Model	FE9180-H
CPU	Multimedia SoC (System-on-Chip)
Flash	128 MB
RAM	512 MB

Camera Features

Image Sensor	1/2.7" Progressive CMOS
Max. Resolution	1920x1920
Lens Type	Fixed-focal
Focal Length	f = 1.16 mm
Aperture	F2.25
Auto-iris	Fixed iris
Field of View	180° (Horizontal) 180° (Vertical) 180° (Diagonal)
Shutter Time	1/5 sec. to 1/32,000 sec.
WDR Technology	WDR Pro
Minimum Illumination	0.25 lux @ F2.25 (Color), 50IRE 0.13 lux @ F2.25 (Color), 30IRE
Pan/Tilt/Zoom Functionalities	ePTZ: 12x digital zoom (12x on IE plug-in)
Storage	Seamless Recording to MicroSD/SDHC/SDXC card

Video

Video Compression	H.265, H.264, MJPEG
Maximum Frame Rate	15 fps @ 1920x1920 30 fps @ 1920x1080
Maximum Streams	4 simultaneous streams
S/N Ratio	64 dB
Dynamic Range	87 dB
Video Streaming	Adjustable resolution, quality and bit rate control, Smart Stream III
Image Settings	General settings: video title and time stamp overlay, video orientation (flip, mirror), day/night settings; Image settings: white balance, image adjustment (brightness, contrast, saturation, sharpness, gamma curve), defog, 3DNR, HLM, DIS; Exposure: BLC, HLC, exposure control (exposure level, iris adjustment, exposure time, gain control, iris mode), WDR; Privacy mask; Scheduled profile settings
Display Mode	Client dewarping Ceiling mounted: 1O Fisheye, 1P Panoramic, 2P Two Panoramics, 1R One Region, 4R Four Regions, 1O3R One Fisheye Three Regions, 1O8R One Fisheye Eight Regions Wall mounted: 1O Fisheye, 1P Panoramic, 1R One Region, 4R Four Regions, 1P2R One Panoramic Two Regions, 1P3R One Panoramic Three Regions, 1O3R, One Fisheye Three Regions

Audio

Audio Capability	One-way Audio
Audio Compression	G.711, G.726
Audio Interface	Built-in microphone
Effective Range	5 meters

Network

Users	Live viewing for up to 10 clients
Security	Access list, digest authentication, HTTPS, IEEE 802.1x, password protection, user access log, user account management
Protocols	802.1X, ARP, CIFS/SMB, DDNS, DHCP, DNS, FTP, HTTP, HTTPS, ICMP, IGMP, IPv4, IPv6, NTP, PPPoE, QoS (CoS/DSCP), RTSP/RTP/RTCP, SMTP, SNMP, SSL, TCP/IP, TLS, UDP, UPnP

Interface	10 Base-T/100 Base-TX Ethernet (RJ-45) *It is highly recommended to use standard CAT5e & CAT6 cables which are compliant with the 3P/ETL standard.
-----------	---

ONVIF	Profile G, S supported, specification available at www.onvif.org
-------	---

Solution Integration

Video Motion Detection	Five-window video motion detection
------------------------	------------------------------------

VADP Package	Stratocast
--------------	------------

Alarm and Event

Event Trigger	Audio detection, camera tampering detection, manual trigger, motion detection, periodical trigger, recording notification, SD card life expectancy, system boot
---------------	---

Event Action	Event notification via email, HTTP, FTP, NAS server, SD card File upload via email, HTTP, FTP, NAS server, SD card
--------------	---

General

Connectors	RJ-45 cable connector for 10/100Mbps Network/PoE connection
------------	---

LED Indicator	System power and status indicator
---------------	-----------------------------------

Power Input	IEEE 802.3af PoE Class 1
-------------	--------------------------

Power Consumption	Max. 3.6 W
-------------------	------------

Dimensions	Ø 94 x 35 mm
------------	--------------

Weight	140 g
--------	-------

Certifications	EMC: CE (EN55032 Class B, EN55024), FCC (FCC Part 15 Subpart B Class B), RCM (AS/NZS CISPR 32 Class B), VCCI (VCCI-CISPR 32 Class B), KC (KN32, KN35); Safety: UL (UL60950-1), CB (IEC/EN 60950-1)
----------------	--

Operating Temperature	Starting Temperature: 0°C ~ 50°C (32°F ~ 122°F) Working Temperature: -10°C ~ 50°C (14°F ~ 122°F)
-----------------------	---

Humidity	90%
----------	-----

Warranty	36 months
----------	-----------

System Requirements

Operating System	Microsoft Windows 10/8/7 Mac 10.12 (Chrome only)
------------------	---

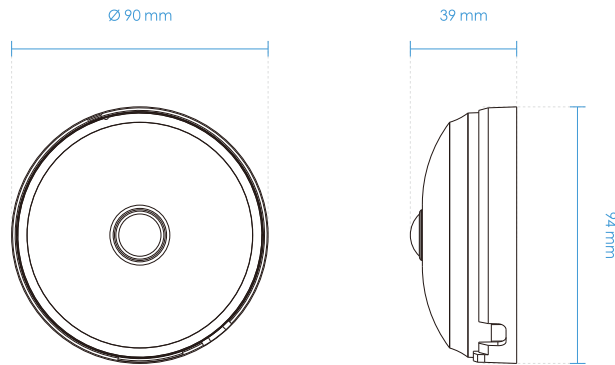
Web Browser	Chrome 58.0 or above Internet Explorer 10/11
-------------	---

Other Players	VLC: 1.1.11 or above
---------------	----------------------

Included Accessories

Others	Quick installation guide, alignment sticker, screw pack, mounting bracket
--------	---

Dimensions



Compatible Accessories

Mounting Kits



AM-216
Wall Mount Bracket (15°)

Mounting Kits



AM-528
Mounting Adapter (3/4" NPT Female Connector)